

「AUTOMATIC TAPING TOOLS」

LOADING & FILLING

Make taping and finishing even faster by adding an automatic filling tool to your system.



LOADING PUMP

Meet the industry's toughest loading pump. The Tapepro Pump is easy to use, fast to clean and speeds up the taping and finishing process.

ABC-123 Code	Barcode	Description
LP-EZ	9315778990561	Loading Pump
FBF	9315778990899	Flat Box Filler
GS	9315778994033	Goose Neck

- Rugged aluminium and stainless steel components
- Quick release foot valve
- Self priming pump spring
- Pump screen to filter out any lumps
- Encapsulated "O" ring for a superior seal under pressure
- Fill a multitude of tools. Add the Goose Neck (GS) to fill the Automatic Taper (AT-2000) and the Compound Applicator Tube (CA-T / CA-T24). Fit the Flat Box Filler (FBF) to fill Mud Boxes (WMB-L / MBP), Flat Boxes (AB-*** / FFB-*** / T-***), AT-SL, Corner Box (CA-H/CA-XH) and Nail Spotters (NS-H-** / NS-XH-**)



Quick release pump head clips



Filling tool



Can be used with Base (chemical setting) compounds



Three year limited warranty



Parts Diagram Available

FLAT APPLICATOR COMPOUND TUBE

The Flat Applicator Compound Tube is a fast, no fuss solution to filling Flat Boxes and Mud Boxes. Draws compound up directly from the bucket and pumps straight into the tool.

ABC-123

Code

FA-CT



Barcode

9315778999298

- Part of the versatile Compound Applicator system
- Hard wearing, powder coated main tube and industrial plastic head
- High flow nozzle with mud wings
- Draws compound straight from bucket
- Fill both Mud Boxes and Flat Boxes
- Can also be used to fill the recess in flat joints for taping



Filling tool



Applies 1st coat



2.23 litres



Quick release nozzle and piston rod



Can be used with Base (chemical setting) compounds



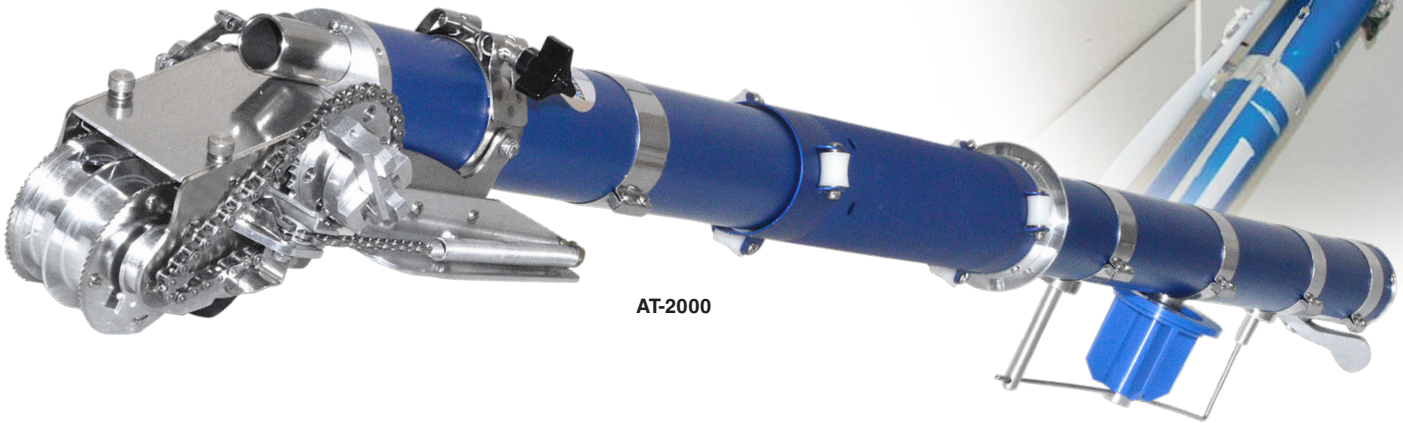
Three year limited warranty



CA-T Parts Diagram Available

TAPING TOOLS

Speed up taping with a precision designed automatic taping tool that simultaneously applies joint tape and compound to flat and internal joints.



Joint compound consistency is an important part of achieving a good finish. Automatic taping tools require a thinner compound (more water) than setting by hand. The consistency should be smooth and creamy; slightly thinner for taping, slightly thicker for finishing. Ensure you follow manufacturer's recommendations.



- Quality, hard wearing components
- Easy to adjust backup roller tension
- Simple to use control tube with pull ring
- Removable head for easy cleaning
- Fill using the Loading Pump (LP-EZ) and Goose Neck Nozzle (GS)



AUTOMATIC TAPER

Tapepro combines precision engineering, superior design features and high quality materials to create the fastest and best Automatic Taper on the market.

Code	Barcode	Description
AT-2000	9315778995856	Automatic Taper
AT-SL	9315778002752	Automatic Taper
AT-S	9315778003070	Auto Taper - Short (42.25")



2.7 litres



Quick release head and easy to remove cover



Can be used with Base (chemical setting) compounds



Three year limited warranty



Tape coat



Parts Diagram Available

MUD BOXES

The Tapepro Mud Boxes are the definition of tough mudders. They're constructed from robust materials like stainless steel and industrial plastics making them extremely hard wearing. The simple "mud bath" design makes the Mud Box® the fastest taping tool to learn and the easiest to use.

- Combined creaser / cutter
- Mud flow adjuster
- Can be filled with Loading Pump (LP-EZ) and Flat Box Filler (FBF), using the MudShark (FA-CT) or by hand

WMB-L



MBP



- Separate creaser/cutter
- Rear controls for creaser/cutter
- Mud flow adjuster
- Can be filled with Loading Pump (LP-EZ) and Flat Box Filler (FBF), using the MudShark (FA-CT) or by hand



Tape coat



2.5 litres



Can be used with Base (chemical setting) compounds



Three year limited warranty



Parts Diagram Available



ABC-123

Code



Barcode



Description

WMB-L

9315778994606

Mud Box® Original

MBP

9315778997898

Mud Box® Pro

FLAT FINISHING

Achieve the perfect machine finish on your flat joints and perfect coverage over your screws fast with Tapepro's range of flat finishing tools. Flat Boxes are easy to use, provide a great finish and are the perfect place to start when investing in Automatic Taping Tools.

BOOSTER® AUTOMATIC BOXES

Tapepro Booster® Automatic Boxes are Flat Boxes - with a difference. The Booster Auto boxes have reverse springs which help force out the joint compound. This reduces the effort required and is particularly handy for out of position or difficult to reach areas. They're designed to take the force out of flat finishing particularly when finishing very high or low flat joints or vertical joints.



Code	Barcode	Size
ABC-123		
AB-200	9315778001243	200mm
AB-250	9315778001250	250mm
AB-300	9315778001267	300mm
AB-350	9315778003834	350mm

- Tough marine grade anodised aluminium box body
- High quality components
- Easy to operate
- Reverse springs force compound out of the box
- Reduces fatigue
- Can be filled by hand or faster with the Loading Pump (LP-EZ) and Filler Nozzle (FBF) / MudShark (FA-CT)
- Compatible with all Tapepro Reducer Plates, Flat Box Bead Guides (FBBG), Flat Box Bumpers (FBB) and all Tapepro Flat Box Handles.

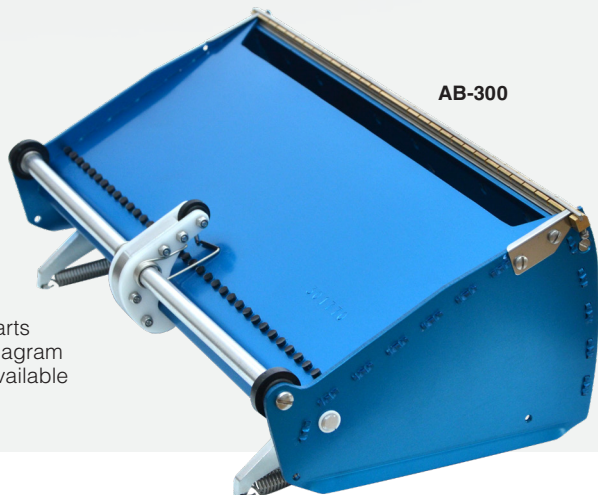


AB-300

AB-300

- Fast flat finishing
- Lid opens wide for easy access and cleaning
- Spring loaded lid
- 200mm 1.34 litres
250mm 1.68 litres
300mm 2.01 litres
350mm 2.01 litres
- Spare parts and service available
- Three year limited warranty

PAGE 159 Parts Diagram Available





BLUE2 FLAT BOXES®

Finish fast with Tapepro's true blue flat finishing tools - the Blue2 Flat Boxes®. The Blue2 boxes produce a smooth machined finish on flat joints quickly and easily.

ABC-123 Code	Barcode	Size
FFB-200	9315778990905	200mm
FFB-250	9315778990912	250mm
FFB-300	9315778990929	300mm
FFB-350	9315778003841	350mm

- Anodised marine grade aluminium peened together for maximum durability
- Precision adjustments for perfect compound coverage
- Fixed axle with wheels that run inside the blade width
- Can be filled by hand or faster with the Loading Pump (LP-EZ) and Filler Nozzle (FBF) / MudShark (FA-CT)
- Compatible with all Tapepro Reducer Plates, Flat Box Bead Guides (FBBG), Flat Box Bumpers (FBB) and all Tapepro Flat Box Handles.



FFB-200

Spare parts and service available

PAGE 156 Parts Diagram Available

Fast flat finishing

Lid opens wide for easy access and cleaning

Three year limited warranty

200mm 1.34 litres
250mm 1.68 litres
300mm 2.01 litres



T-200

T2 FLAT BOXES®

Apply the perfect finishing coats to flat joints with the sleek T2 Flat Box range. T2 boxes are easy to learn and produce the perfect crown and feather - fast.



ABC-123 Code	Barcode	Size
T-150	9315778002271	150mm
T-200	9315778001564	200mm
T-250	9315778001571	250mm
T-300	9315778001588	300mm

- Constructed from hard wearing materials such as marine grade aluminium and stainless steel
- Easy to learn and use
- Fixed axle with wheels that run inside the blade width
- Can be filled by hand or faster with the Loading Pump (LP-EZ) and Filler Nozzle (FBF) / MudShark (FA-CT)
- Compatible with all Tapepro Reducer Plates, Flat Box Bead Guides (FBBG), Flat Box Bumpers (FBB) and all Tapepro Flat Box Handles.

Spare parts and service available

Fast flat finishing

Lid opens wide for easy access and cleaning

PAGE 157 Parts Diagram Available

Three year limited warranty

150mm 0.925 litres
200mm 1.34 litres
250mm 1.68 litres
300mm 2.01 litres



FLAT BOX ACCESSORIES

Code	Barcode	Description	Size
RP-150	9315778002455	Reducer Plate 150mm-75mm	75mm
RP-200	9315778000864	Reducer Plate 200mm-140mm	140mm
RP-2514	9315778002462	Reducer Plate 250mm-140mm	140mm
RP-2520	9315778002479	Reducer Plate 250mm-200mm	200mm
FBBG	9315778997843	Flat Box Bead Guides	300mm
FBB	9315778002318	Flat Box Bumpers	



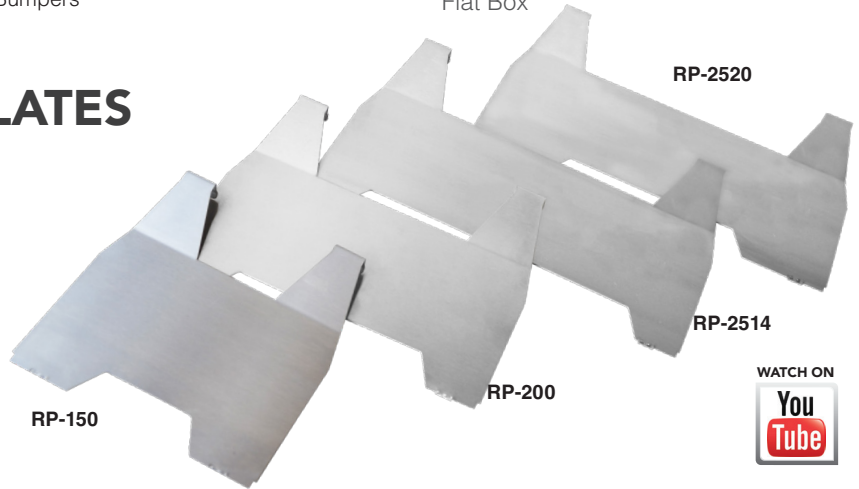
FBB

- Protects the brass blade from scraping on surfaces and damage to side plates
- Fits to all Tapepro Flat Boxes
- Included on the Tapepro T-150 Flat Box

TAPEPRO REDUCER PLATES

Reduce the finish width of your Tapepro Flat Box.

- Easy to fit and remove
- Fits to all Tapepro Blue2 and T2 Flat Boxes
- Made from durable stainless steel sheet metal



RP-150

RP-200

RP-2514

RP-2520



Give external corners a smooth, machined finish fast with the Tapepro Flat Box Bead Guides.

- Use with paper tape, No-Coat, plastic, metal and more
- Angular deflection of outer guide ensures no scraping on adjoining surface
- Can be used on shadow and reveal beads by dropping the inner guide into the recess so it acts like a track for finishing



FBBG

BRAKELESS FLAT BOX HANDLE

After a simple and economical handle to fit to your flat box? Then this Tapepro Brakeless model is for you. Simply tighten the dial and it's ready for use. The friction brake design makes it easy to master and with the handle weighing less than 1kg, it will help to reduce physical fatigue. Did we mention it looks great paired with the Tapepro T2 Flat Box?



FH-1



Fixed



Fast flat finishing



Three year limited warranty

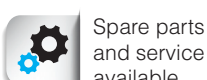
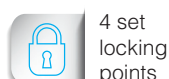
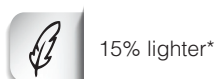
Code	Barcode	Size
FH-1	9315778003087	1050mm

PRO-REACH SUPERLITE FLAT BOX HANDLE

Quite possibly the best looking Extendable Handle ever... The Superlite ProReach isn't all about looks though - it's almost 15% lighter than the traditional FHX, it's robust and is an exceptional performer.

- Filament wound carbon fibre tube for non-slip grip
- Precision machined head assembly
- Improved pressed and screwed handle to head connection
- Lighter weight stainless steel pivot pin
- Reliable "all position" brake
- Weighs just 1.2kg
- Extends from 980-1600mm with 4 locking positions
- Compatible with all Tapepro Flat Boxes

ABC-123 Code	Barcode	Size
FHX-SL	9315778001748	980-1600mm



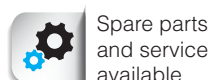
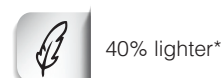
SUPERLITE FLAT BOX HANDLE

Tapepro has combined precision engineering with quality materials to produce the first carbon fibre Flat Box Handle. The SuperLite handles weigh *40% less than the traditional range of Flat Box Handles with a sleek appearance.

- Sleek, lightweight carbon fibre handle tube
- Improved pressed and screw head assembly
- Precision machined head
- Lighter weight hollow stainless steel pivot pin
- Available in two fixed lengths
- Compatible with all Tapepro Flat Boxes



FHSL-900



ABC-123 Code	Barcode	Size
FHSL-900	9315778001595	900mm
FHSL-1200	9315778001601	1200mm

SUPERLITE
FLAT BOX HANDLES

* when compared to a Tapepro traditional fixed Flat Box handle in the same size

TWISTER® HANDLE

Twist your handle - not your body. Adjust the angle of your Flat Box to suit you with the Twister swivel head. The Twister helps reduce fatigue and is the perfect partner for the Tapepro Auto Boxes - particularly when finishing joints at unusual heights.

ABC-123 Code	Barcode	Description	Size
FHX-T	9315778000314	Twister Flat Box Handle	980-1600mm
TSP	9315778000321	Twister Swivel Plate	



FHX-T/TSP



- Four handles in one! The handle extends from 980-1600mm with 4 locking positions
- Comfortable handle tubes with ergonomic grip
- Twister Swivel Plate (TSP) is compatible and can be retrofitted to Tapepro's ProReach® Handle (FHX) and each of the fixed Handles (FFBH-****)
- Brake engages at any angle
- Anodised head assembly for premium wear resistance
- Patented "Twister" swivel head that you can adjust to suit the joint
- Weighs just 1.5kgs
- Compatible with all Tapepro Flat Boxes

PAGE 153
Parts Diagram Available



PROREACH® EXTENDABLE HANDLE

Get four Flat Box Handles in one with the ProReach Extendable Handle from Tapepro. The ProReach Handle extends from 980mm to 1600mm and has four locking positions.

ABC-123 Code	Barcode	Size
FHX	9315778998260	980-1600mm



- Extends from 980-1600mm with four locking positions
- Comfortable handle tubes with ergonomic grip
- Brake engages at any angle
- Anodised head assembly for premium wear resistance
- Weighs just 1.4kgs
- Compatible with all Tapepro Flat Boxes



PAGE 153
Parts Diagram Available

3 Three year limited warranty

Spare parts and service available

Extendable handle

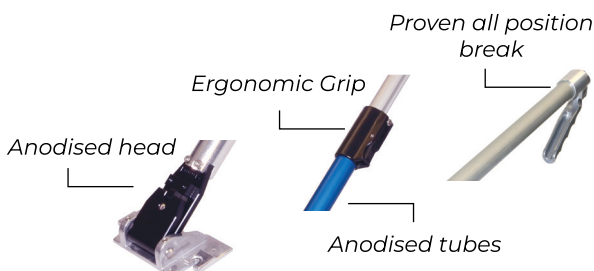
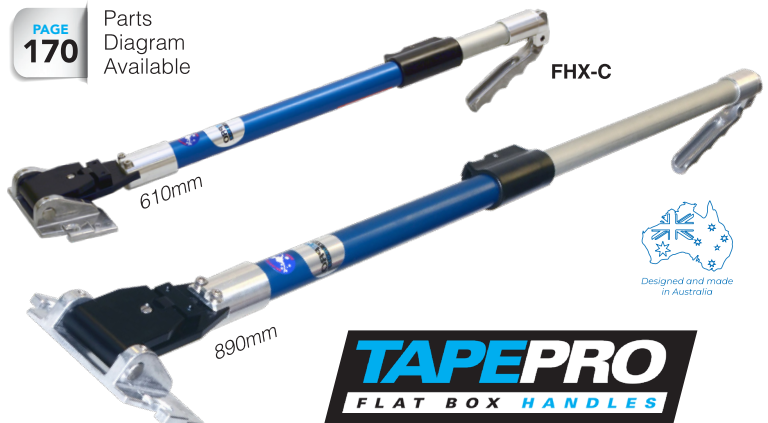
Fast flat finishing

FLAT BOX EXTENDABLE HANDLE COMPACT

This compact flat box handle is perfect for confined spaces, is more comfortable on horizontal flat joints and can still extend up to 890mm! It's also lightweight at 1kg.

ABC-123 Code	Barcode	Size
FHX-C	9315778003803	610-890mm


PAGE 170
Parts Diagram Available



FIXED FLAT BOX HANDLES

Tapepro's traditional fixed length Flat Box Handles and extensions are still going strong. Providing a lightweight, robust and comfortable solution.

3 Three year limited warranty

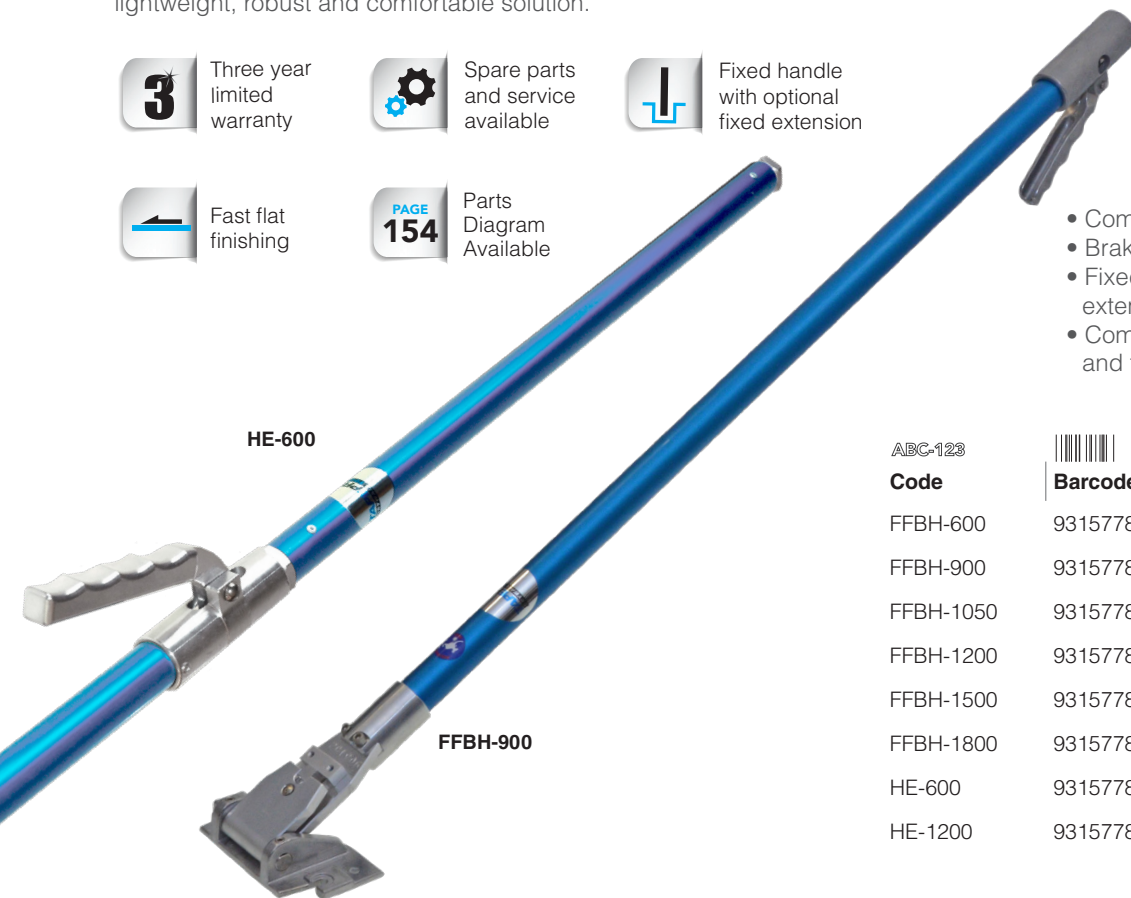
 Spare parts and service available

 Fixed handle with optional fixed extension

 Fast flat finishing

PAGE 154 Parts Diagram Available

- Comfortably sized aluminium tube
- Brake engages at any angle
- Fixed handle length with optional fixed extensions
- Compatible with all Tapepro Flat Boxes and fixed extensions (HE-600, HE-1200)



HE-600

FFBH-900

ABC-123

Code

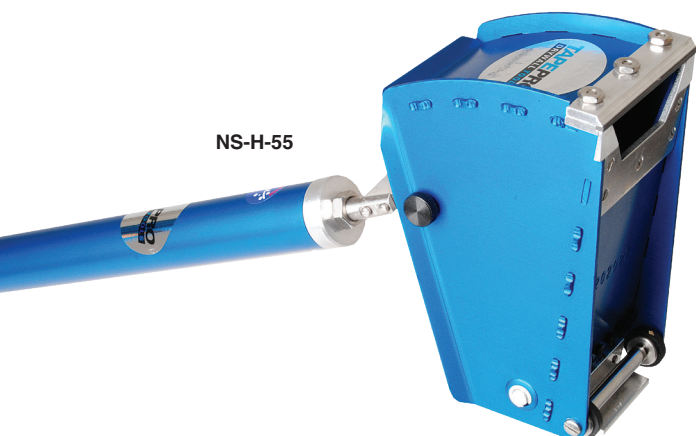


Barcode



Size

FFBH-600	9315778999601	600mm
FFBH-900	9315778990998	900mm
FFBH-1050	9315778991001	1050mm
FFBH-1200	9315778991018	1200mm
FFBH-1500	9315778991025	1500mm
FFBH-1800	9315778991032	1800mm
HE-600	9315778990974	600mm
HE-1200	9315778990981	1200mm



NS-H-55

NAIL SPOTTERS

Coat strips of nails or screws quickly with a single swipe of a Tapepro Nail Spotter.


- Nail spotter constructed from peened anodised aluminium
- Adjustable inter-lock handle position
- Fixed axle with wheels that run inside the blade width
- Kick plate for quick wall positioning
- Available with fixed length handle (NS-H-55, NS-H-75) or with ProReach Extendable Handle (NS-XH-55, NS-XH-75)


 55mm 0.26 litres
75mm 0.35 litres

3 Three year limited warranty

PAGE 169 Parts Diagram Available

 Fast flat finishing

 Lid opens wide for easy access and cleaning

 Spare parts and service available

ABC-123

Code



Barcode



Description



Size

NS-H-55	9315778995320	Nail Spotter 55mm with fixed 900mm handle	55mm
NS-XH-55	9315778998291	Nail Spotter 55mm with ProReach 960-1600mm handle	55mm
NS-H-75	9315778995481	Nail Spotter 75mm with fixed 900mm handle	75mm
NS-XH-75	9315778998307	Nail Spotter 75mm with ProReach 960-1600mm handle	75mm

CORNER TOOLS + CORNICE INSTALLATION

COMPOUND APPLICATORS

The Compound Applicator Tube is our most versatile taping tool. With the application of one of Tapepro's specialised mud heads the Compound Tube can complete a range of tasks including application of compound (for taping or installation of mud on trims), finishing internal corners and application of cornice cement.




CA-T

- Compound Applicator Tube available in two sizes 600mm (CA-T24) and 900mm (CA-T)
- Hard wearing, powder coated main tube and industrial plastic head with stainless steel ball
- Compound Applicator Tubes (CA-T, CA-T24) come standard with the CAN high flow nozzle, the Flat Applicator Compound Tube (FA-CT) comes standard with the FAN Flat Applicator Nozzle
- Easy to operate
- Can draw up compound straight from the bucket, alternatively it can be filled with the Loading Pump (LP-EZ) and Goose Neck (GS)

ABC-123 Code	Barcode	Description	Size
CA-T24	9315778001168	Compound Applicator Tube Tapepro	600mm
CA-T	9315778994590	Compound Applicator Tube Tapepro	900mm
FA-CT	9315778999298	MudShark Compound Tube Tapepro	900mm

3 Three year limited warranty


 Can be used with Base (chemical setting) compounds


PAGE 152 Parts Diagram Available

1 Applies 1st coat*

 600mm 1.64 litres
900mm 2.23 litres

 Quick release nozzle and piston rod

 Spare parts and service available

 Fast corner finishing*

 Cornice installation*

 Filling tool*

* with the application of the correct Tapepro Compound Applicator Attachment

COMPOUND APPLICATOR ATTACHMENTS

MANTA RAY ADJUSTABLE INTERNAL APPLICATOR



AIA

AH-38

INTERNAL APPLICATOR HEAD

- Apply joint compound to 90° internal corners, including the apex



CORNICE HEADS

- Apply cornice cement for quick and easy cornice installation

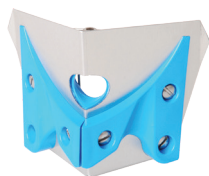


CH-55, CH-75, CH-90

OAH

OUTSIDE APPLICATOR HEAD

- Apply joint compound to external corners, including the apex



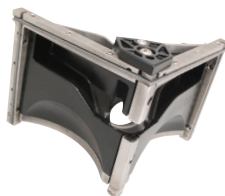
CG-75

CORNER GLAZER 75MM

- Apply second coat to internals while feathering the edges

FTA

FLAT TEAR AWAY BEAD APPLICATOR



CFP-75

CORNER FINISHER 75MM PLASTIC

- Apply second coat to internals while perfectly feathering the edges - fast!

FAN

FLAT APPLICATOR NOZZLE

- Apply compound to flat recessed joints and fill Flat Boxes



ABC-123

Code



Barcode



Description



Size

Code	Barcode	Description	Size
AIA	9315778001236	Adjustable Inside Applicator Tapepro*	100° -160°
AH-38	9315778997300	Angle Head Tapepro*	38mm
CAN	9315778999410	Compound Applicator Nozzle Tapepro*	
CFP-75	9315778000390	Corner Finisher CFP Series Tapepro*	75mm
CG-75	9315778996877	Corner Glazer Tapepro*	75mm
CH-55	9315778998079	Cornice Head Tapepro*	55mm
CH-75	9315778998086	Cornice Head Tapepro*	75mm
CH-90	9315778998093	Cornice Head Tapepro*	90mm
FAN	9315778999281	MudShark Nozzle Tapepro	
FTA	9315778001182	Flat Tear Away Bead Applicator Tape-	
OAH	9315778000369	Outside Angle Head Tapepro*	

* requires CA-T, CA-T24 or the FA-CT with the CAN head fitted

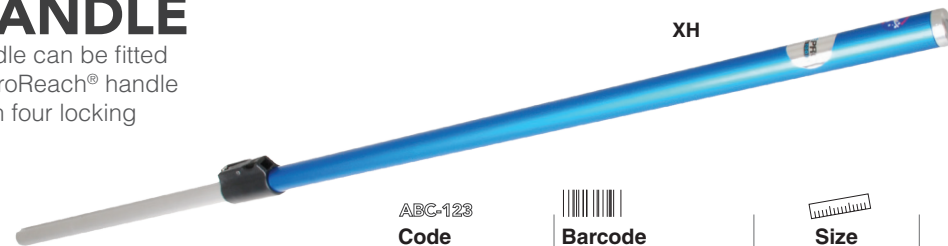
WATCH ON



PROREACH® HANDLE

This multi-purpose, extendable handle can be fitted to a number of Tapepro tools. The ProReach® handle extends from 960mm - 1600mm with four locking positions.

- Extends from 960-1600mm with four locking positions
- Anodised outer tube for excellent wear resistance
- The XH fits directly to the Inside & Outside Corner Rollers and Nail Spotters, add CFA024 to make it a CF-XH or add XH023 for a CA-XH



Three year limited warranty



Extendable handle



Spare parts and service available



Parts Diagram Available

ABC-123

Code

XH



Barcode

9315778998314



Size

960-1600mm

CORNER FINISHER HANDLE

The Tapepro Corner Finisher Handles fit perfectly to Straight Glazers and Corner Finishers to leave your corners with the correct amount of compound with perfectly feathered edges.



- Hard wearing anodised handle tube
- Equipped with an acetal ball connector which provides better fit and greater wear resistance
- Available in fixed 1200mm (CFH-1200) and extendable 960-1600mm (CF-XH)
- Compatible with Tapepro Straight Glazers (SG-55, SG-75, SG-90) and Corner Finishers (CFP-75, CF-65, CF-75, CF-90)

ABC-123

Code

CFH-1200

CF-XH



Barcode

9315778993975

9315778998277



Description

Corner Finisher Handle

ProReach® Extendable Corner Finisher Handle



Size

1200mm

960-1600mm

STRAIGHT GLAZERS

Straight Glazers snap onto the Corner Finisher Handle (CFH-1200 / CF-XH) to glaze off taped internals quickly and easily. After applying tape and bedding in, pass the Tapepro Straight Glazer from top to bottom and it will simultaneously wipe off excess compound and perfectly feather the edges of the internal. Top coat internals with 75 or 90mm glazer using a two step process with applicator head.

- Made from durable stainless steel and acetal plastic
- Snaps onto Corner Finisher Handle (CFH-1200 / CF-XH)
- Available in three sizes 55mm (SG-55), 75mm (SG-75) and 90mm (SG-90)

WATCH ON



SG-55



PAGE 164

Parts Diagram Available



Spare parts and service available

3

Three year limited warranty



Fast corner finishing

ABC-123

Code

SG-55

SG-75

SG-90



Barcode

9315778995092

9315778997935

9315778998192



Size

55mm

75mm

90mm



STRAIGHT GLAZERS GLIDER SERIES

The Glider Series Straight Glazers are made from a more rigid assembly of stainless steel components with an acetal ball socket block and WHEELS!

Using the same wheels as the Nail Spotters, these glazers GLIDE along internal 90° corners providing an even coverage while feathering the edges.

The Glider Glazers have a stiffer body better suited to thicker compound mixes.

Similar to the already popular Straight Glazers, the Glider Series Glazers are designed to be used with either the Tapepro Corner Finisher Handle (CFH-1200) or Tapepro Corner Finisher Extendable Handle (CF-XH)



SGG-95

SGG-80

SGG-60

WATCH ON



ABC-123

Code

SGG-60

SGG-80

SGG-95



Barcode

9315778002424

9315778002431

9315778002448



Description

Glazer Glider Series 60mm

Glazer Glider Series 80mm

Glazer Glider Series 95mm



Size

60mm

80mm

95mm



PAGE
165

Parts
Diagram
Available



Spare parts
and service
available



Fast corner
finishing

Use a two-step process: apply compound with the Compound Applicator Tube (CA-T) or Corner Box (CA-H) using the Angle Head (AH-38) then glaze with the Glider Glazer.



INSIDE CORNER ROLLER

Bed in joint tape and corner beads with ease using Tapepro's famous Corner Roller. The inside Corner Roller (CR-H / CR-XH) is designed for use after taping - the self aligning rollers force excess compound out. Use the Inside Corner Roller on joint tapes, paper faced bead and corner tape.



Spare parts and service available



Rinse off with water



Three year limited warranty



Parts Diagram Available



Fast corner finishing*

- Hard wearing die cast aluminium body
- Durable solid stainless steel rollers with acetal bushes for smooth rolling
- Swivel attachment adjusts to any angle
- Embed joint tape (paper tape / FibaFuse®), paper faced beads, and corner tape (No-Coat®, LevelLine® and Strait-Flex)
- Handle compatible with Outside Corner Roller Head (OCR)
- Available with a fixed 1200mm handle (CR-H) or an Extendable 960-1600mm Handle (CR-XH)



ABC-123
Code

Barcode



Description

Size

CR-H

9315778993982

Internal Corner Roller with Handle

1200mm

CR-XH

9315778998284

Internal Corner Roller with Extendable Handle

960-1600mm

CORNER GLAZER

The Tapepro Corner Glazer fits to the Corner Box (CA-H / CA-XH) or Compound Applicator Tube (CA-T / CA-T24) to finish internal corners in a single pass.

ABC-123
Code

Barcode

Size

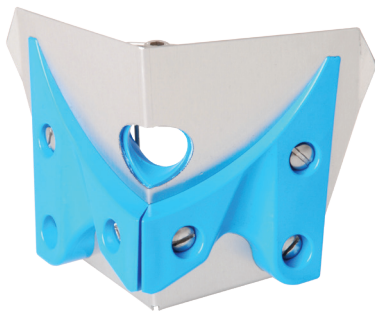
CG-75

9315778996877

75mm

- Made from durable stainless steel and acetal plastic
- Snaps onto Corner Box (CA-H / CA-XH) or Compound Applicator Tube (CA-T / CA-T24)
- Simultaneously applies the correct amount of compound and feathers the edges of internal corner joints

CG-75



PAGE
164

Parts Diagram Available

2

Applies 2nd coat



Fast corner finishing



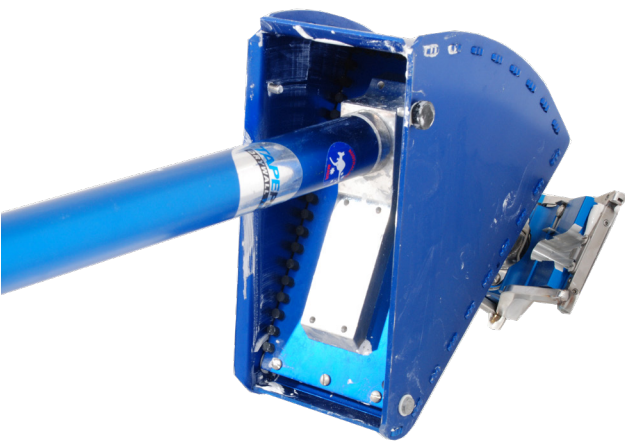
Rinse off with water



Spare parts and service available



Three year limited warranty



CORNER BOX

The Tapepro Corner Box when paired with a Corner Glazer (CG-75) or Corner Finisher (CFP-75, CF-65, CF-75, CF-90), delivers joint compound to internal corners.

- Super tough peened anodised aluminium box body
- High flow nozzle
- Long reach cone for tight corners
- Safety cable to attach Corner Finisher
- Available with a fixed 1200mm Handle (CA-H) or an Extendable 960-1600mm Handle (CA-XH)
- Compatible with Tapepro Corner Glazer (CG-75) and Corner Finishers (CFP-75, CF-65, CF-75, CF-90)

ABC-123 Code	Barcode	Description	Size
CA-H	9315778991483	Corner Box with Handle	1200mm
CA-XH	9315778999465	Corner Box with ProReach® Extendable Handle	960-1600mm



Applies 2nd coat



0.98 litres



Parts Diagram Available



Spare parts and service available



Wide opening pressure plate for easy cleaning



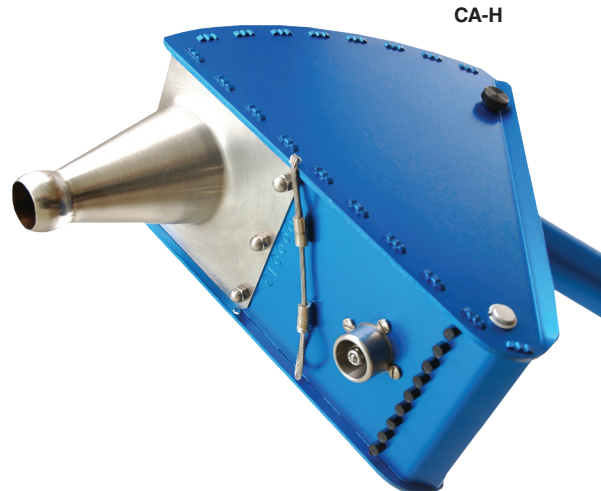
Three year limited warranty



Fast corner finishing



Can be used with Base (chemical setting) compounds



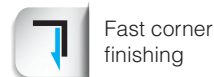
OUTSIDE CORNER ROLLER

The Outside Corner Roller is designed to be used on a multitude of different 90° corner beads and tapes including Trim-Tex® and No-Coat®. It delivers firm, even pressure to the entire trim for a strong bond to the corner - every time.



- Tough stainless steel sheet metal body with acetal plastic rollers
- Rollers pivot in the centre allowing for corners that are not exactly 90° and corner beads that have either tapered or parallel legs
- Swivel attachment adjusts to any angle
- Install Trim-Tex® Mud Set™, Paper Face Metal Bead, No-Coat® and more
- OCR is compatible with the 1200mm Corner Roller Handle (CRA015) and the Pro-Reach Extendable Handle 960-1600mm (XH)

ABC-123 Code	Barcode	Description	Size
OCR	9315778000833	Outside Corner Roller Head	
OCR-H	9315778000840	Outside Corner Roller with Handle	1200mm
OCR-XH	9315778000857	Outside Corner Roller with Extendable Handle	960-1600mm
OCR-W	9315778002776	Outside Corner Roller Wide	

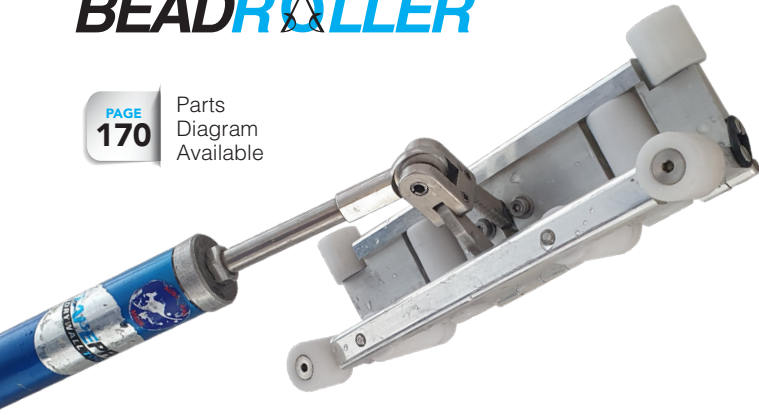


ADJUSTABLE BEAD ROLLER

Tapepro's Self-Adjusting Bead Roller is ready to make any angled corner bead from inside 90° to outside 90° extremely easy to bed in! It automatically adjusts to the angle required, so no manual setting is needed. The unique flexible bands provide spring action and increased control while the larger rollers spin slower for less compound flick. It's also perfect to use on extendable handles, with a very stable operation.

SELF ADJUSTING BEAD ROLLER

PAGE 170 Parts Diagram Available



- Self adjusting roller for all angle corner beads - inside 90° to outside 90°!
- No manual setting required
- No tipping, perfect for use on extendable handles
- Outside rollers increase width for wider bead application
- Minimal compound flick
- Unique flexible bands provide spring action and increased control
- Works well with all mud-on beads: No-Coat 325 & 450, Strait-Flex, Trim-TEX, Paper Faced Metal Beads and more!

ABC-123
Code
SABR

Barcode
9315778003827

Description
Self Adjusting Bead Roller

CORNER FINISHERS

Tapepro's premium range for internal finishing. Each of the Corner Finishers can be snapped onto a Corner Finisher Handle (CFH-1200 / CF-XH) to glaze off excess compound after installing tape. They're also expert topping tools - simultaneously applying the perfect top coat to internal corners and feathering the edges.

2 Applies 2nd coat

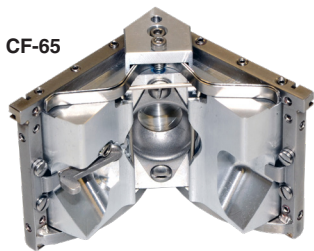
Fast corner finishing

Rinse off with water

3 Three year limited warranty

Spare parts and service available

PAGE 161 Parts Diagram Available



CF-75



CF-90

CFP-75



CF-65, CF-75, CF-90 Features:

- Made from precision machined billet aluminium for superior durability and performance
- Fabricated stainless steel frames provide the perfect fit for smooth operation
- Durable, long life carbide blades
- Safety clip to securely attach to Tapepro Corner Box
- Compatible with the Corner Finisher Handle (CFH-1200 / CF-XH) for internal glazing
- Fits to the Corner Box (CA-H / CA-XH) or Compound Applicator Tube (CA-T / CA-T24) for finishing

CFP-75 Features:

- Affordable precision - the same superior performance as the traditional corner finishers
- Low friction, high strength industrial plastic body
- Laser cut stainless steel frames provide the perfect fit for smooth operation
- Durable, long life carbide blades and skids
- Fits to the Corner Finisher Handle (CFH-1200 / CF-XH) for internal glazing
- Snaps onto Corner Box (CA-H / CA-XH) or Compound Applicator Tube (CA-T / CA-T24) for finishing

ABC-123
Code

Barcode

Description

Size

CFP-75

9315778000390

Corner Finisher CFP Series

75mm

CF-65

9315778994095

Corner Finisher

65mm

CF-75

9315778991490

Corner Finisher

75mm

CF-90

9315778996884

Corner Finisher

90mm

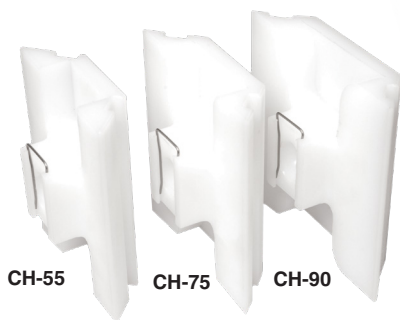
WATCH ON



CORNICE HEADS

Install cornice in half the time of traditional methods with the Tapepro Cornice Heads. Simply fill the Tapepro Compound Applicator Tube (CA-T) with cornice cement, snap on a Cornice Head and run along the wall/ceiling junction to apply the perfect amount of adhesive for cornice installation.

- Reduce installation time and fatigue
- Made from super hard wearing industrial plastic
- Apply consistent, measured beads of cornice adhesive reducing wastage
- Compatible with the Compound Applicator Tube (CA-T)



CH-55

CH-75

CH-90



Rinse off with water



Fast cornice installation*



Three year limited warranty

ABC-123

Code



Barcode



Size

CH-55

9315778998079

55mm

CH-75

9315778998086

75mm

CH-90

9315778998093

90mm

WATCH ON



CASES

TAPEPRO CASES

Protect and transport your tools with a Tapepro Tool Case.

TC-450 Features:

- Protect your tools
- Shockproof & water resistant
- Lockable lid
- Comes with Tapepro Boxer Kits

TC-1200 Features:

- Aluminium casing with reinforced corners
- Four latches
- Comfortable handle
- 1230mm x 350mm x 115mm - 7kg

TC-1410 Features:

- Protect and transport your tools in a robust tool case
- 1410mm long
- Foam lined
- Lockable lid
- 2 Wheels on bottom
- Sturdy and durable
- Made of polypropylene
- Handles on side, bottom & top
- 1350mm x 360mm x 140mm

TC-450



TC-1200



TC-1410



ABC-123

Code



Barcode



Size

TC-450

9315778002097

450x350x250mm

TC-1200

9315778998895

1200mm

TC-1410

9315778003285

1410mm

COMBOS

SLAYER CORNER KIT




Tapepro's Slayer Corner Kit includes all the tools required to tape and set internal corners. The kit will significantly speed up the internals process when compared to hand taping and setting and includes the Tapepro Inside Corner Roller to ensure even tape bedding.

The Slayer Kit allows the user to run base compound along the internal joint with the compound tube and angle head. The roller will bed the joint tape squarely into the corner and spread the compound evenly. The 55mm glazing head then feathers the compound to a flat finish. Once base compound is dry the compound application process is repeated for subsequent topping coats with the 75mm glazing head.

“Setting corners with the Slayer Kit not only saves time but also reduces waste by maintaining a fixed level of applied compound.”

And the Slayer tools are secured in a tough aluminium case that's designed for protection to make transporting them simple.



-  Spare parts and service available
-  Fast corner finishing
-  3 Three year limited warranty



included in TK-SCK2

ABC-123 Code	Barcode	Contents Code	Description	Size
TK-SCK1	9315778001793		SLAYER CORNER KIT	
		SG-55	Straight Glazer	55mm
		SG-75	Straight Glazer	75mm
		CA-T	Compound Applicator Tube	900mm
		AH-38	Angle Head Applicator	38mm
		TC-1200	Tool Case	1200mm
		CFH	Corner Finisher Handle	960mm
		CR-H	Corner Roller	960mm
TK-SCK2	9315778002813		SLAYER SGG CORNER KIT	
		SGG-60	Straight Glazer Glider Series	60mm
		SGG-80	Straight Glazer Glider Series	80mm
		CA-T	Compound Applicator Tube	900mm
		AH-38	Angle Head Applicator	38mm
		TC-1200	Tool Case	1200mm
		CFH	Corner Finisher Handle	960mm
		CR-H	Corner Roller	960mm

TK-TR1



FLAT FINISHING COMBO

Everything you need to get started with flat finishing using Tapepro Tools. Choose from the Trade Tools set or the Professional set and start finishing faster.

ABC-123 Code	Contents Code	Description	Size
TK-TR1 TAPEPRO TRADE FINISHING KIT			
	FFB-200	Flat Box Blue2®	200mm
	FFB-300	Flat Box Blue2®	300mm
	FHX	ProReach® Extendable Flat Box Handle	980-1600mm
	LP-EZ	Loading Pump Ezy Prime Tapepro	
	FBF	Box Filler Tapepro	



Fast flat finishing



Spare parts and service available



Three year limited warranty



Can be used with Base (chemical setting) compounds

BASE COMBO

Apply compound to flat joints and internal corners in preparation for taping. This combo also allows you to glaze off internal corners while perfectly feathering the edges.

TK-BK1



ABC-123 Code	Contents Code	Description	Size
TK-BK1 TAPEPRO BASE KIT			
	CA-T	Compound Applicator Tube	900mm
	TC-1200	Tool Case	1200mm
	CF-XH	ProReach® Extendable Corner Finisher Handle	960-1600mm
	FAN	MudShark Nozzle	
	SG-55	Straight Glazer	55mm
	SG-75	Straight Glazer	75mm
	AH-38	Internal Applicator Head Tapepro	38mm



Filling tool



Applies 1st coat



Three year limited warranty



Spare parts and service available



Can be used with Base (chemical setting) compounds

The **Tapepro Boxer Kits** enable you to achieve the best finish on the market with Australia's own Tapepro Flat Box range. Included in the kit is the Flat Box series of your choice Blue2 or T2, the innovative Flat Box Bumper Kit, Reducer Plate and Replacement Flat Box Blades all protected in a shock resistant waterproof case designed to extend the life of the tools.



WHAT'S AVAILABLE IN THE KITS:

- Blue2 Flat Boxes**
Traditional shape
Sprung lid
Precision adjustments
FFB-___
- T2 Flat Boxes**
Innovative design
Wide opening lid
Simplified blade tension
T-___
- Reducer Plate**
Reduce joint finish width from 200mm to 140mm
Use with 200mm box
RP-200
- Boxer Case**
Protects the tools
Shock resistant
Water Proof
TC-450
- FBB Bumpers**
Help protect your brass blade holder and side plates from damage
FBB
- Blades 3pkt**
To replace damaged or worn blades
MK03-***

- Spare parts and service available
- Three year limited warranty
- Flat fast finishing
- Protected Tools

BK-3	TapePro Boxer Kit #3	BK-4	TapePro Boxer Kit #4	BK-7	TapePro Boxer Kit #7	BK-8	TapePro Boxer Kit #8
TC-450	Tool Case 450mm	TC-450	Tool Case 450mm	TC-450	Tool Case 450mm	TC-450	Tool Case 450mm
FFB-200	Blue2 Flat Box 200mm	FFB-200	Blue2 Flat Box 200mm	T-200	T2 Flat Box 200mm	T-200	T2 Flat Box 200mm
FFB-250	Blue2 Flat Box 250mm	FFB-300	Blue2 Flat Box 300mm	T-250	T2 Flat Box 250mm	T-300	T2 Flat Box 300mm
FFB-300	Blue2 Flat Box 300mm	RP-200	Reducer Plate 140mm	T-300	T2 Flat Box 300mm	RP-200	Reducer Plate 140mm
RP-200	Reducer Plate 140mm	FBB	Flat Box Bumper Kit	RP-200	Reducer Plate 140mm	FBB	Flat Box Bumper Kit
FBB	Flat Box Bumper Kit	MK03-200	Flat Box Blades 3pk 200mm	FBB	Flat Box Bumper Kit	MK03-200	Flat Box Blades 3pk 200mm
MK03-200	Flat Box Blades 3pk 200mm	MK03-300	Flat Box Blades 3pk 300mm	MK03-200	Flat Box Blades 3pk 200mm	MK03-300	Flat Box Blades 3pk 300mm
MK03-250	Flat Box Blades 3pk 250mm			MK03-250	Flat Box Blades 3pk 250mm		
MK03-300	Flat Box Blades 3pk 300mm			MK03-300	Flat Box Blades 3pk 300mm		

ABC-123 Code	Barcode	Contents Code	Description	Size
BK-3	9315778002820	TC-450 FFB-200 FFB-250 FFB-300 RP-200 FBB MK03-200 MK03-250 MK03-300	BOXER KIT #3	450x350x-250mm
BK-4	9315778002837	TC-450 FFB-200 FFB-300 RP-200 FBB MK03-200 MK03-300	BOXER KIT #4	450x350x-250mm
BK-7	9315778002844	TC-450 T-200 T-250 T-300 RP-200 FBB MK03-200 MK03-250 MK03-300	BOXER KIT #7	450x350x-250mm
BK-8	9315778002851	TC-450 T-200 T-300 RP-200 FBB MK03-200 MK03-300	BOXER KIT #8	450x350x-250mm

REPAIR KITS & PARTS

■ FLAT BOX MAINTENANCE KIT - FBK01



Covers commonly required parts for general maintenance. Use this kit when the box is leaking due to wear between the pressure plate axle and the nyliners.

- Contents:
- F025 Pressure Plate Axle x 1
 - F008 Nyliner x 2
 - F009 Blade x 1
 - SA051 Thumb Screw x 2
 - AT062 4-40 x 5/16" BH Screw x 5,7,9

ABC-123
Code Barcode

FBK01-150	9315778002325
FBK01-200	9315778991315
FBK01-250	9315778991322
FBK01-300	9315778991339



Available in 150mm, 200mm, 250mm and

■ FLAT BOX SERVICE KIT - FBK02



Replaces the seals, skids and wheels. Use this kit when the box is leaking due to the seals being worn or deteriorated. Also includes other harder wearing components such as skids and wheels.

- Contents:
- F030 Pressure Plate Wiper x 1
 - F017 Axle Wiper x 1
 - F006 Skid x 1
 - F024 Skid x 1
 - FA020 Tyre & Wheel x 2
 - F032 Bushing x 2
 - F007 5-40 x 1/8" BH Screw x 4

ABC-123
Code Barcode

FBK02-150	9315778002332
FBK02-200	9315778991346
FBK02-250	9315778991353
FBK02-300	9315778991360



Available in 150mm, 200mm, 250mm and

■ FLAT BOX OVERHAUL KIT - FBK03



Includes all wear items to fully overhaul the flat box. Use this kit when the box has been used for an extended period and all wear items require replacement.

- Contents:
- FBK01 Maintenance Kit x 1
 - FBK02 Service Kit x 1
 - F039 Blade Holder x 1
 - F044 Blade Holder Tab x 4
 - F034 Spring x 1
 - F028 10-32 Wing Nut X 2
 - F042 Pressure Plate Spring x 2
 - AT042 4-40 x 5/16" Screw x 2

ABC-123
Code Barcode

FBK03-150	9315778002783
FBK03-200	9315778991377
FBK03-250	9315778991384
FBK03-300	9315778991391



Available in 150mm, 200mm, 250mm and 300mm.

■ FLAT BOX HANDLE MAINTENANCE KIT - FHK01



Replaces the major wear components - hinge assembly, locking cam and retainer. Use this kit when the brake action is ineffective due to wear in these components, and the hinge is bottoming out.

- Contents:
- FHA002 Hinge Assembly x 1
 - FH005N Locking Cam x 1
 - FH007 Retainer x 1

ABC-123
Code Barcode

FHK01	9315778995894
-------	---------------

■ FLAT BOX BUMPER KIT - FBB



Retro fit to any Tapepro Flat Box. Bumpers are fitted over the skids stopping the blade from catching or scraping the adjacent surface.

- Contents:
- FBB Flat Box Bumpers x 2
 - Long Screws x 4

ABC-123
Code Barcode

FBB	9315778002318
-----	---------------

■ CORNER ROLLER MAINTENANCE KIT - CRK01



Replaces the rollers and bushes. Use this kit when the corner rollers are too loose and the roller ends may be catching on the wall.

- Contents:
- CR002 Bushings x 4
 - CR003 Roller S/S x 4
 - CR004 1/4" -20 x 1-1/4" Hex Hd x 4

ABC-123
Code Barcode

CRK01	9315778995863
-------	---------------

■ CORNER BOX MAINTENANCE KIT - CBK01



Replaces the pressure plate axle and nyliners. Use this kit when the box is leaking due to wear between these components.

- Contents:
- F008 Nyliner x 2
 - CB014 Axle x 1
 - AT062 4-40 x 5/16" BH Screw x 3

ABC-123
Code Barcode

CBK01	9315778998185
-------	---------------

■ CORNER BOX SERVICE KIT - CBK02



Replaces the seals. Use this kit when the box is leaking due to the seals being worn or deteriorated.

- Contents:
- S012-75 Axle Wiper 75mm x 1
 - CB020 Pressure Plate Wiper x 1

ABC-123
Code Barcode

CBK02	9315778995436
-------	---------------

■ CORNER FINISHER MAINTENANCE KIT - CFK01



Covers resetting the Corner Finisher, replacing skids and grub screws. Use this kit when the finisher is leaving thick edges or ripping tape.

- Contents:
- CF002 6-32 x 1/8" Set Screw x 10
 - CF013 Skid x 2

ABC-123
Code Barcode

CFK01	9315778991445
-------	---------------

■ CORNER FINISHER SERVICE KIT - CFK02



Replaces blades, clips, ball retainer and associated screws. Use this kit when the blades are broken or damaged and clips are worn. To check blades, run a fingernail along the leading edge. You should be able to feel a crack or break.

- Contents:
- CF10/22 Size Carbide Blade x 2
 - AT012 8-32 x 1/4" Set Screw x 2
 - CFA116 Lower Clip Assembly x 1
 - CF103 Upper Clip x 1
 - CF020 Ball Retainer x 1

ABC-123
Code Barcode

CFK02-65	9315778996136
CFK02-75	9315778996419
CFK02-90	9315778995412



Available in 65mm, 75mm & 90mm

■ LOADING PUMP MAINTENANCE KIT - LPK01



Replaces the rubber components. Use this kit when the pump is not sealing properly and performance is low.

- Contents:
- P003 Piston Wiper x 1
 - P004 O Ring Piston x 1
 - P036 O Ring x 1
 - P031 U Cup x 1
 - P051 O Ring x 1

ABC-123
Code Barcode

LPK01	9315778995870
-------	---------------

■ LOADING PUMP SERVICE KIT - LPK02



Replaces the piston rod bush and suction screen. Use this kit when these components are worn or damaged.

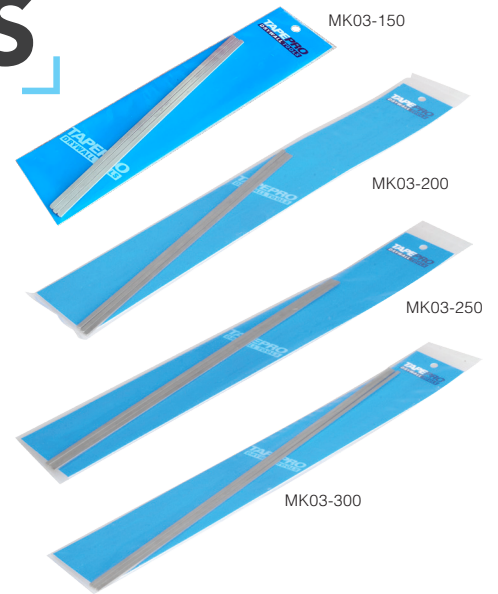
- Contents:
- P030 Nylon Bushing x 1
 - P025F Screen Fine x 1

ABC-123
Code Barcode

LPK02	9315778995887
-------	---------------

PACKAGED PARTS

Code	Barcode	Description
AT031-5pk	9315778999731	Cutter Blade 5pk
AT074-5pk	9315778999748	Feed Needle 5pk
CG005	9315778999694	Spring Retainer
F006-2pk	9315778999649	Skids (left/right) Set
F007-4pk	9315778999687	Skid Screws Set
F008-2pk	9315778999656	Flat Box Nyliner Set
F032-2pk	9315778999670	Wheel Bush Set
FA020-2pk	9315778999632	Tyre & Wheel Set
MB-18-2pk	9315778999724	Tape Spool Spacer Set
MB-22-2pk	9315778999717	Tension Spring Set
SA051-2pk	9315778999663	Thumb Screw Set
MK03-150	9315778002349	Flat Box Blade 150mm 3pk
MK03-200	9315778999755	Flat Box Blade 200mm 3pk
MK03-250	9315778999762	Flat Box Blade 250mm 3pk
MK03-300	9315778999779	Flat Box Blade 300mm 3pk



NEED PARTS?



See the range of spare parts available in retail packaging!

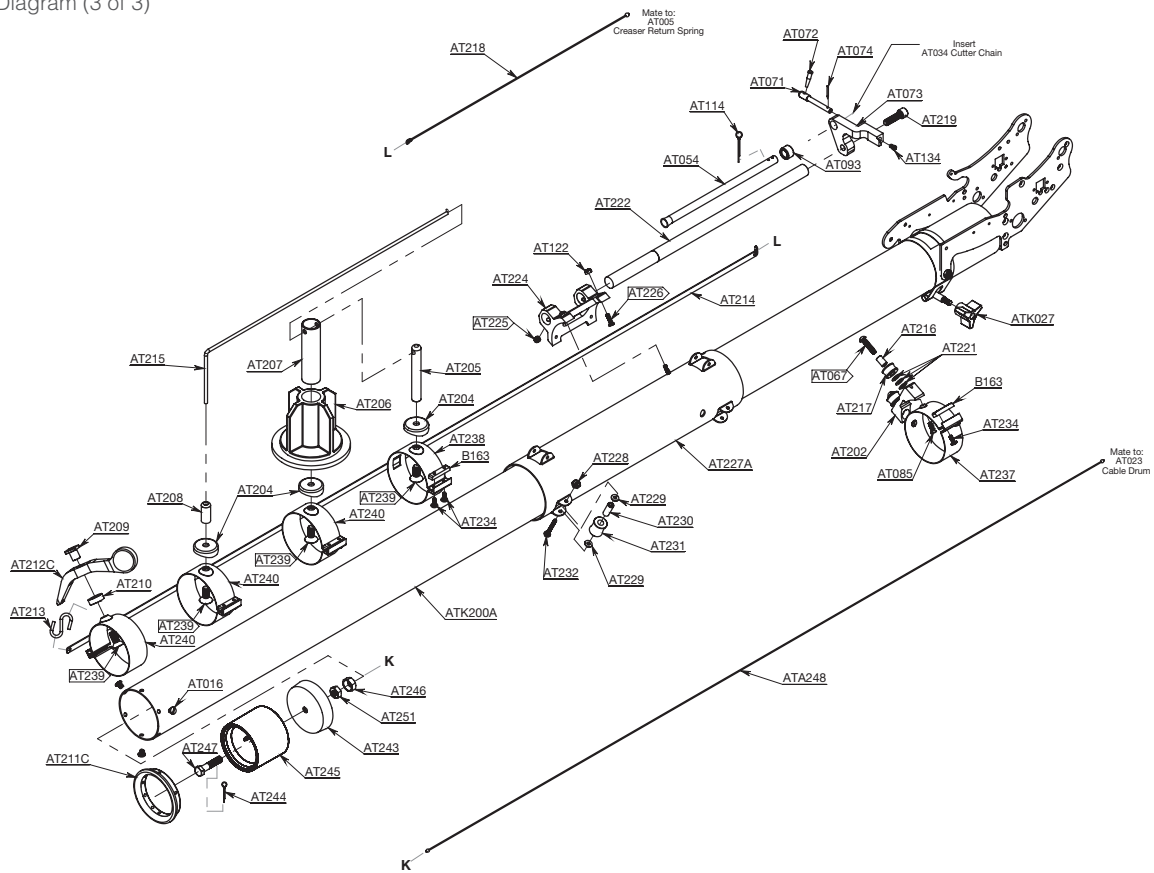
For all the latest news and updates follow us on Facebook

www.facebook.com/tapepro



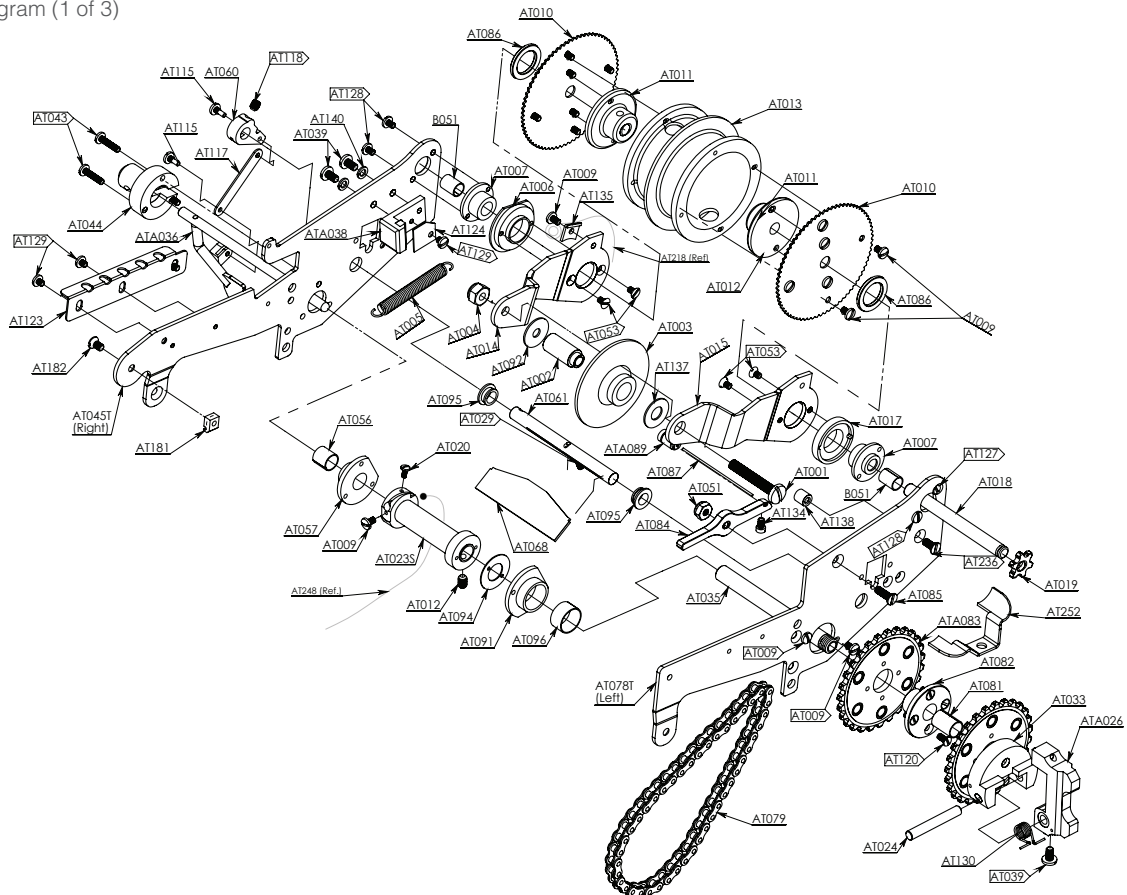
AUTOMATIC TAPER AT-2000

Spare Parts Diagram (3 of 3)



AUTOMATIC TAPER AT-SL

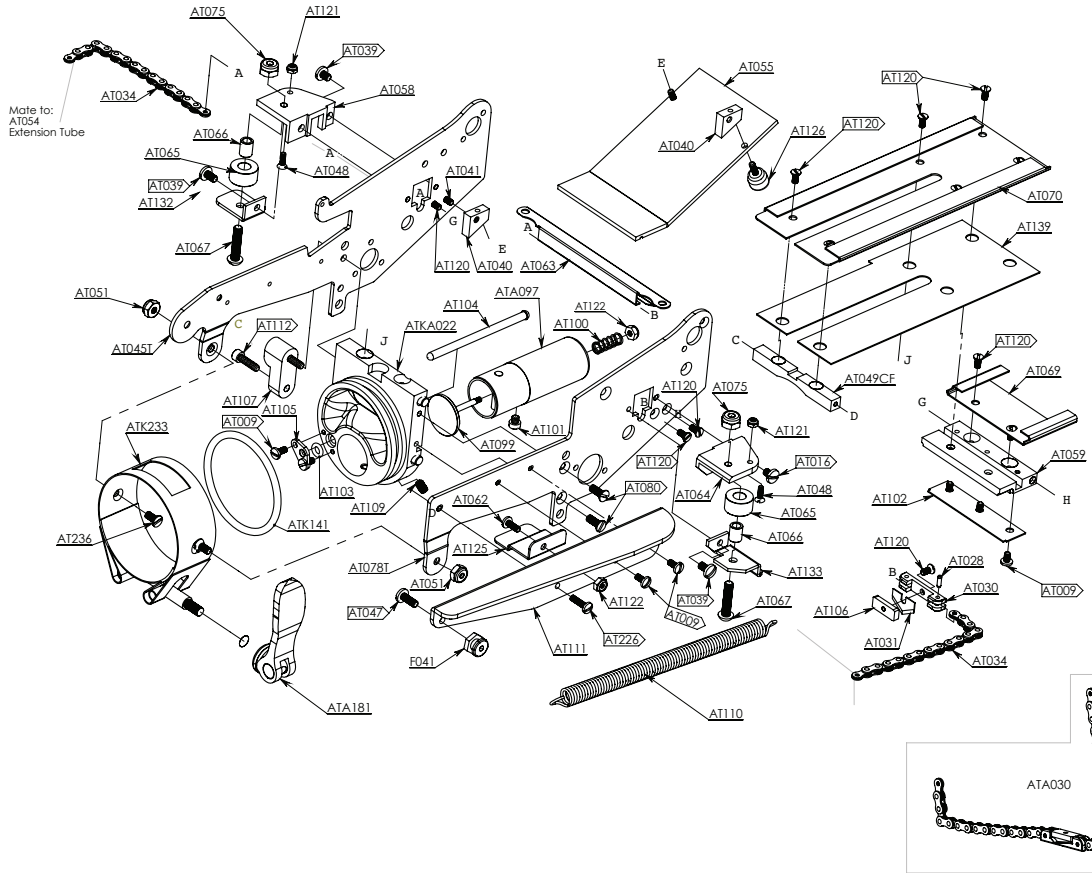
Spare Parts Diagram (1 of 3)



Use only genuine Tapepro parts on Tapepro Drywall Tools. Using other brands parts on a Tapepro tool may affect the operation of the product and void warranty.

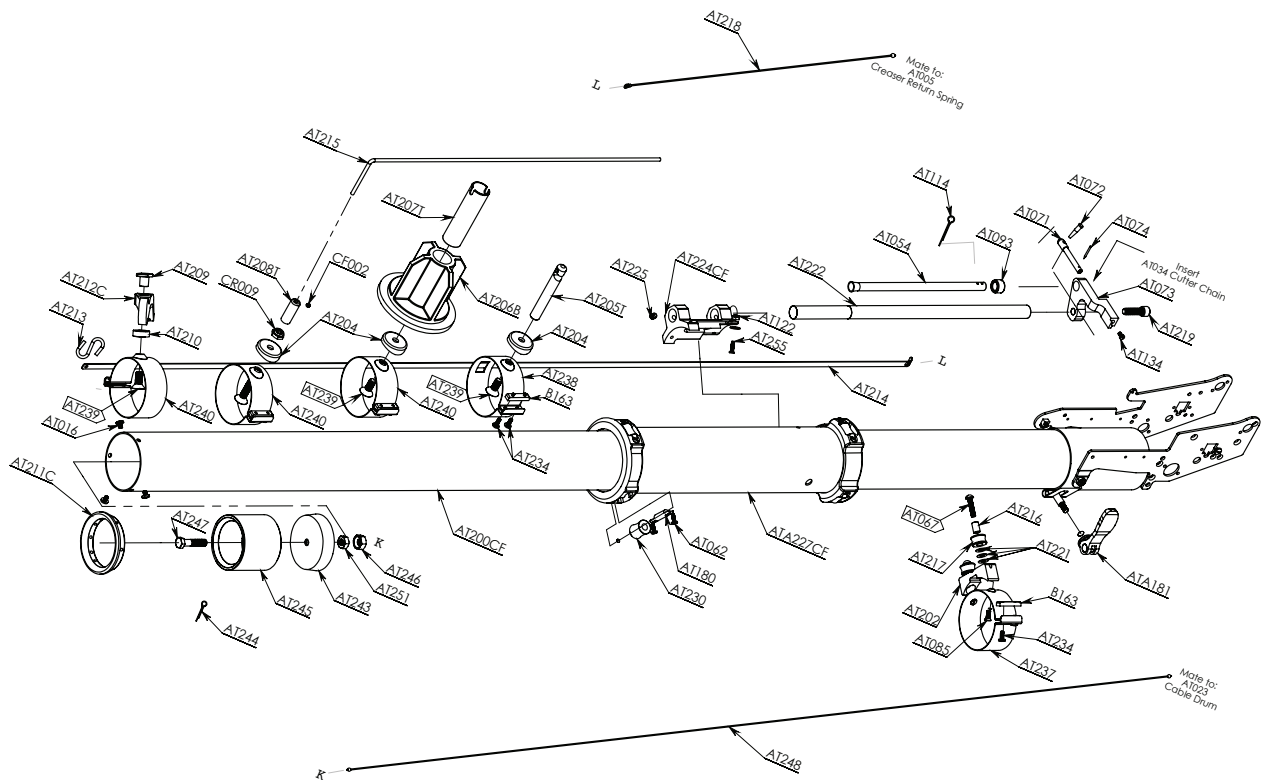
AUTOMATIC TAPER AT-SL

Spare Parts Diagram (2 of 3)



AUTOMATIC TAPER AT-SL

Spare Parts Diagram (3 of 3)



AUTOMATIC TAPING TOOLS

■ TAPEPRO AUTOMATIC TAPER SPARE PARTS

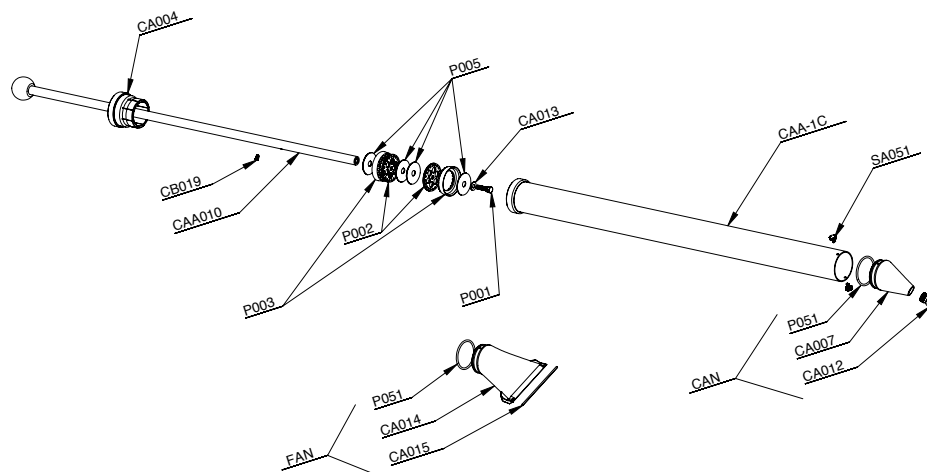
Code	Description	Code	Description
AT001	10-32 x 1-1/4 B.H. Screw	AT066	Bushing
AT002	Creaser Wheel Bushing	AT067	8-32 x 3/4 Truss Hd. Screw
AT003	Taper Creaser Wheel	AT068	Gate Valve
AT004	10-32 Nylock	AT069	Tape Guide Extension
AT005	Creaser Return Spring	AT070	Tape Guide
AT006	Creaser Arm Bushing	AT071	Needle Holder
AT007	Bushing	AT072	Rubber Engaging Lever
AT008	Bearing Liner	AT073	Needle Holder Housing
AT009	4-40 x 3/16 B.H. Screw	AT074	Needle
AT010	Tape Wheel	AT074-5PK	Feed Needle 5 pack
AT011	Tape Wheel Drive Hub	AT075	8-32 Nylock
AT012	8-32 x 1/4 Set Screw Cut Pt	AT076	Cable Sheave Bearing
AT013	Tape Wheel Spool	AT077	Cable Sheave
AT014	Right Arm Creaser	AT078	Left Side Plate
AT015	Left Arm Creaser	AT079S	Drive Chain S/S
AT016	6-32 x 3/16 B.H. Screw	AT080	6-32 x 3/8 Flt. Hd. Screw
AT017	Creaser Arm Bushing	AT081	Bearing Liner
AT018	Drive Axle 6mm	AT082	Sprocket Hub
AT019	Small Gear	AT084	Axle Holder Lever
AT020	2-56 x 3/16 B.H. Screw	AT085	6-32 x 7/16 Flt. Hd. Screw
AT021	8-32 x 7/16 Fillister Hd Screw	AT086	Thrust Bearing
AT023	Cable Drum	AT087	Back-Up Roller Axle
AT024	Drive Dog Axle	AT091	Bushing
AT025	Dowel Pin Head	AT092	Creaser Wheel Washer
AT028	Roll Pin 2mm x 6mm	AT093	Extension Stop
AT029	4-40 x 1/4 Set Screw Cup	AT094	Cable Drum Thrust Washer
AT030	Cutter Block	AT095	Nyliner
AT031	Cutter Blade	AT096	Bearing Liner
AT031-5PK	Cutter Blade 5 pack	AT099	Valve
AT032	Dowel Pin (Drive Dog)	AT100	Spring
AT033	Drive Dog Holder	AT101	6-32 x 1/8 Fillister Hd.
AT034SS	Cutter Chain	AT102	Gate Plate
AT035	Drive Axle	AT103	O Ring
AT039	6-32 x 1/4 B.H. Screw	AT104	Push Rod
AT040	Screw Block	AT105	O Ring Retainer
AT041	4-40 x 1/4 B.H. Screw	AT106	Cutter Block Clamp
AT042	4-40 x 5/16 Fillister Hd	AT107	Control Tube Stop
AT043	4-40 x 1/2 B.H. Screw	AT110	Cutter Spring
AT044	Cam	AT111	Spring Shield
AT045	Right Side Plate	AT112	6-32 x 1/2 Soc Cap Screw
AT046	Dowel Pin Head	AT114	Cotter Pin for Cutter Chain
AT047	6-32 x 3/8 B.H. Screw	AT115	Special Gate Valve Connector
AT048	3-43 x 5/16 Flt. Hd. Screw	AT117	Gate Valve Connector
AT049	Tape Guide Support	AT118	8-32 x 3/16 Set Screw Cup Pt
AT050	Spacer	AT120	4-40 x 1/4 Flt. Hd. Screw
AT051	6-32 Nylock	AT121	3-48 Nylock
AT052	4-40 x 5/16 Flt. Hd. Screw	AT122	4-40 Nylock
AT053	4-40 x 3/16 Flt. Hd. Screw	AT123	Engaging Cam
AT054	Extension Tube	AT124	Wear Plate
AT055	Cover Plate	AT125	Tape Guide
AT056	Bearing Liner	AT126	Thumb Screw
AT057	Bushing	AT127	4-40 x 5/32 Flt. Hd. Screw
AT058	Roller Support	AT128	4-40 x 5/32 B.H. Screw
AT059	Tape Guide Connector	AT129	4-40 x 1/8 B.H. Screw
AT060	Gate Valve Cam	AT130	Drive Dog Spring
AT061	Gate Valve Axle	AT132	Right Roller Shield
AT062	4-40 x 5/16 B.H. Screw	AT133	Left Roller Shield
AT063	Cutter Channel	AT134	4-40 x 3/16 Fillister Hd
AT064	Roller Support	AT135	Creaser Cable Clamp
AT065	Roller	AT136	Carbide
		AT137	Washer
		AT138	Creaser Stop
		AT139	Tape Guide Filler
		AT140	6-32#6 Lock Washer
		AT177	Gate Valve Connector
		AT200A	Main Tube - (Blue Anodized)

Use only genuine Tapepro parts on Tapepro Drywall Tools. Using other brands parts on a Tapepro tool may affect the operation of the product and void warranty.

■ TAPEPRO AUTOMATIC TAPER SPARE PARTS cont...

Code	Description
AT202	Roller Bracket
AT204	Post Spacer
AT205	Keeper Post
AT206	Tape Spool
AT207	Spool Post
AT208	Keeper Socket
AT209	Trigger Post
AT210	Trigger Spacer
AT211C	End Ring
AT212C	Creaser Trigger
AT213	S Hook
AT214	Creaser Strap
AT215	Tape Keeper
AT216	Bushing
AT217	Roller
AT218	Creaser Cable
AT219	1/4-20 x 7/8 Soc Cap Screw
AT221	#8 Flat Washer
AT222	Control Tube Extension
AT224	Control Tube Bracket
AT225	10-32 x 1/4 Set Screw Cup Pt
AT226	4-40 x 7/16 B.H. Screw
AT227A	Control Tube
AT228	5-40 Nylock
AT229	#4 Flat Washer
AT230	Control Tube Roller Bushing
AT231	Control Tube Roller
AT232	5-40 x 1 B.H. Screw
AT234	5-40 x 5/16 B.H. Screw
AT235	Band (AT235)
AT236	6-32 x 5/16 Flt. Hd. Screw
AT237	Band
AT238	Band

Code	Description
AT239	1/4-20 x 5/8 Allen F.H. Screw
AT240	Band
AT242	Washer
AT243-1	Cup Wiper Modified
AT244	Cotter Pin (Piston Cable)
AT245	Piston
AT246	Special Concave Nut
AT247	Piston Bolt
AT251	1/4-20 Hex Nut
AT252	AT Chain Guard
ATA022	Head with Pin Assembly
ATA026	Drive Dog with Pin
ATA030	Cutter Block Assembly
ATA030SS	Cutter Block Assembly Stainless Steel
ATA036	Disengaging Rod Assembly
ATA038	Back Up Roller Bracket Assembly
ATA083	Sprocket Assembly
ATA089	Back-Up Roller Assembly
ATA097N	Filler Tube Assembly
ATA248	Puller cable
ATK027	Black Nob for AT-2000
ATK045	Right Side Plate
ATK071	Needle Holder
ATK078	Left Side Plate
ATK108	Control Tube Stop
ATK111	Spring Cover
ATK133	Blade Gaurd
ATK141	O Ring
ATK200A	Main Tube Anodized
ATK233	Quick Release Clamp
ATK237	Band
ATKA022	Head with Pins Assembly
ATKA073	Needle Housing Holder Assembly



**COMPOUND
APPLICATOR TUBE**

CA-T

Spare Parts Diagram

■ TAPEPRO COMPOUND APPLICATOR TUBE SPARE PARTS

Code	Description
CA004	Plastic End Plug
CA007	Nozzle Plastic
CAA009	Ball Anodised
CAA010	Pull Rod Assembly for CA-T
CAA-1C	Main Tube with End Ring Assembly for CA-T
CA012	Cone Ball Stainless Steel
CA013	5/16 x 3/4 x 18g Flat Washer
CB019	Screw
P001	5/16-24 X 1 1/4 Hex Hd. Screw
P002	Piston Disc
P003	Piston Wiper
P005	Valve Disc

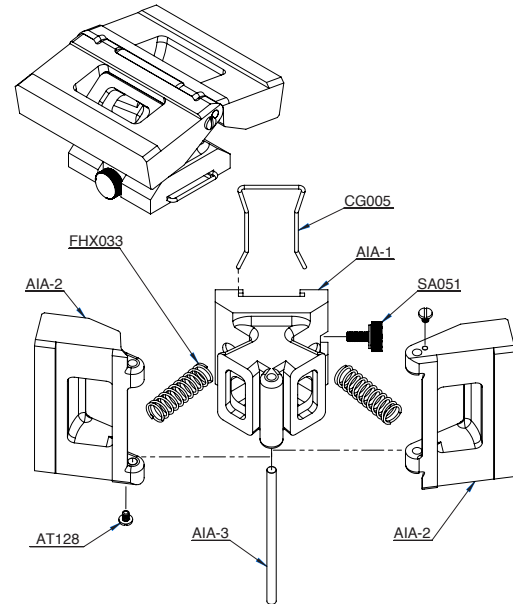
Code	Description
P051	O Ring
SA051	Thumb Screw
CA014	Flat Applicator Body
CA015	Flat Applicator Blade
CAN	Compound Applicator Nozzle
FAN	Flat Applicator Nozzle
SA051-2PK	Thumb Screw 2 pack
CA002	Piston Assembly
	CA-T24
CA010-24	Pull Rod for CA-T24
CA-1-24	Main tube for CA-T24

ADJUSTABLE INSIDE APPLICATOR AIA

Spare Parts Diagram

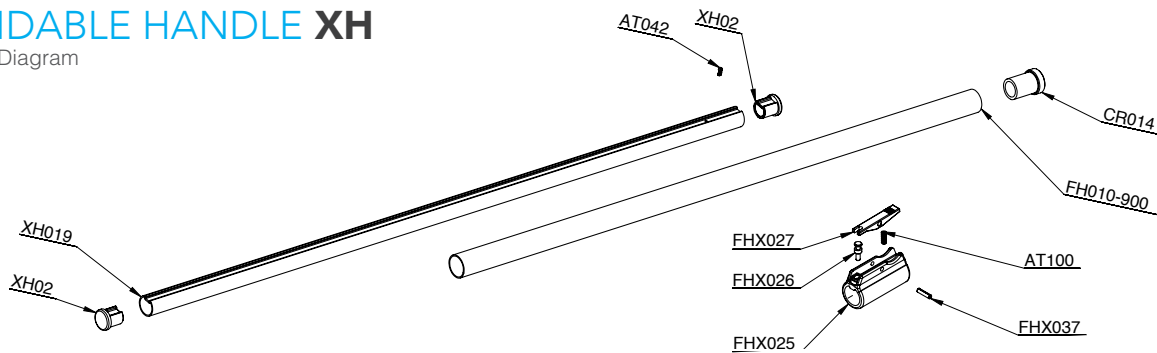
TAPEPRO ADJUSTABLE INSIDE APPLICATOR SPARE PARTS

Code	Description
AIA-1	AIA Body
AIA-2	AIA Wing
AIA-3	4 x 80mm Stainless Steel Rod
CG005	Glazer Spring Retainer
FHX033	Brake Spring Stainless Steel
SA051	Thumb Screw
AT128	4-40 x 5/32 B.H. Screw



EXTENDABLE HANDLE XH

Spare Parts Diagram



TAPEPRO EXTENDABLE HANDLE SPARE PARTS

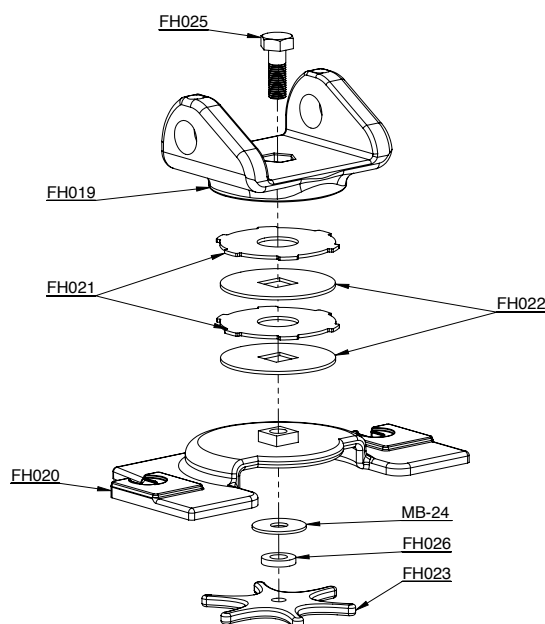
Code	Description	Code	Description
XH02	Extension Handle Bush	FHX037	Spring Pin M5 x 20 SS
FH010-900	Tube Only 900mm Anodised	AT042	4-40 x 5/16 Fillister Hd
XH019	Inner Tube	AT100	Spring
FHX025	Extension Sleeve	CR014	Handle End
FHX026	Locating Pin	XH03	XH Rubber Grip
FHX027	Extension Lever	XH023	Corner Box adaptor stud

TWISTER® SWIVEL PLATE TSP

Spare Parts Diagram

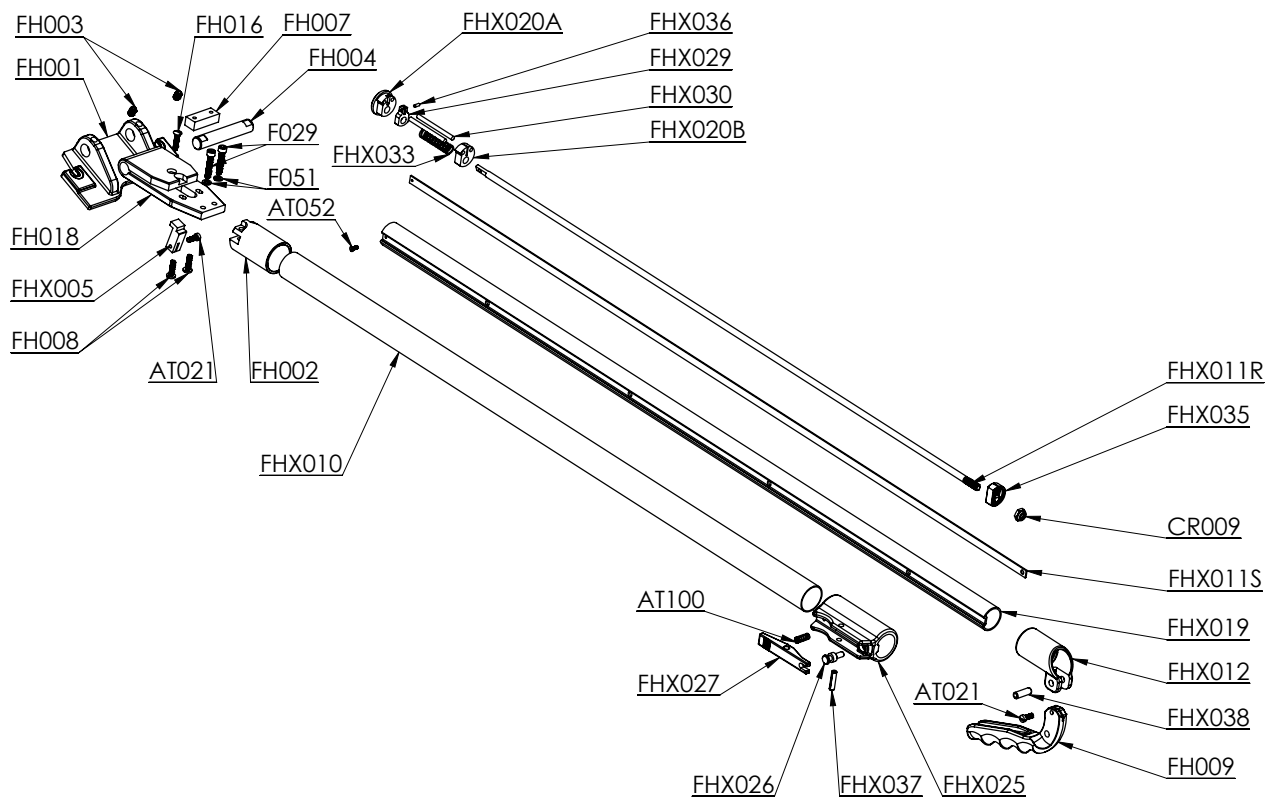
■ TWISTER SWIVEL PLATE SPARE PARTS

Code	Description
FH019	Top Plate
FH020	Bottom Plate
FH021	Brake washer with tab
FH022	Brake Washer
FH023	Star Wheel
FH025	Screw 1/4 -28 x 3/4 Hex Hd SS 304
FH026	1/4" Acetal Washer
MB-24	Washer Stainless Steel 1/4" x 3/4"



FLAT BOX HANDLE EXTENDABLE FHX

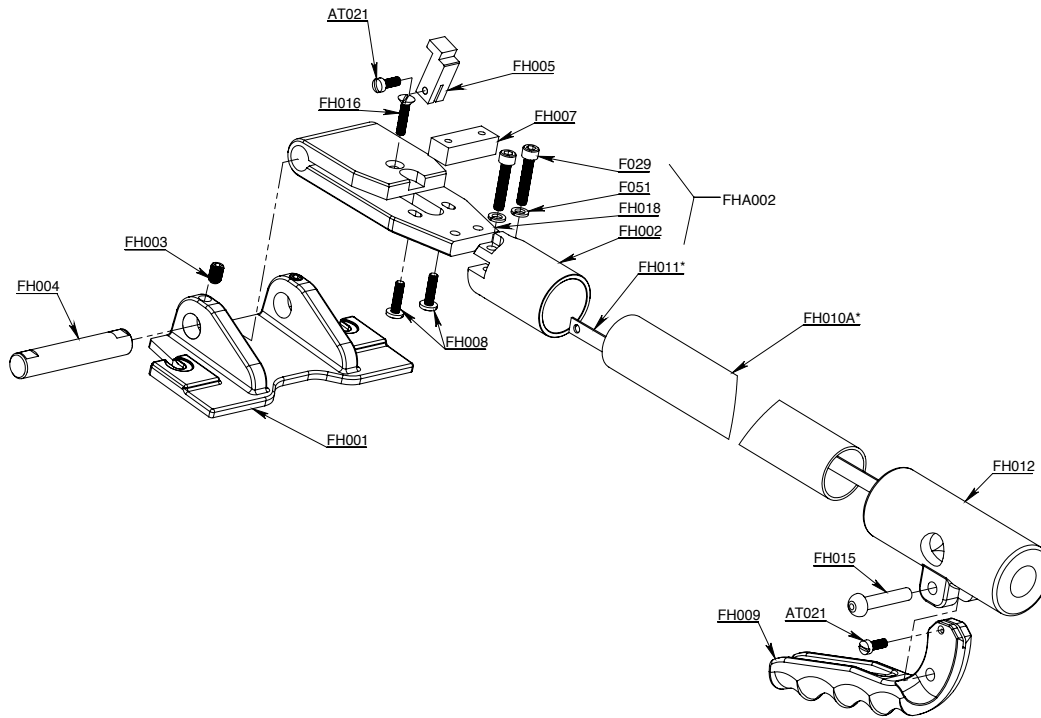
Spare Parts Diagram



Use only genuine Tapepro parts on Tapepro Drywall Tools. Using other brands parts on a Tapepro tool may affect the operation of the product and void warranty.

FLAT BOX HANDLE FFBH

Spare Parts Diagram



■ TAPEPRO FLAT BOX HANDLE SPARE PARTS

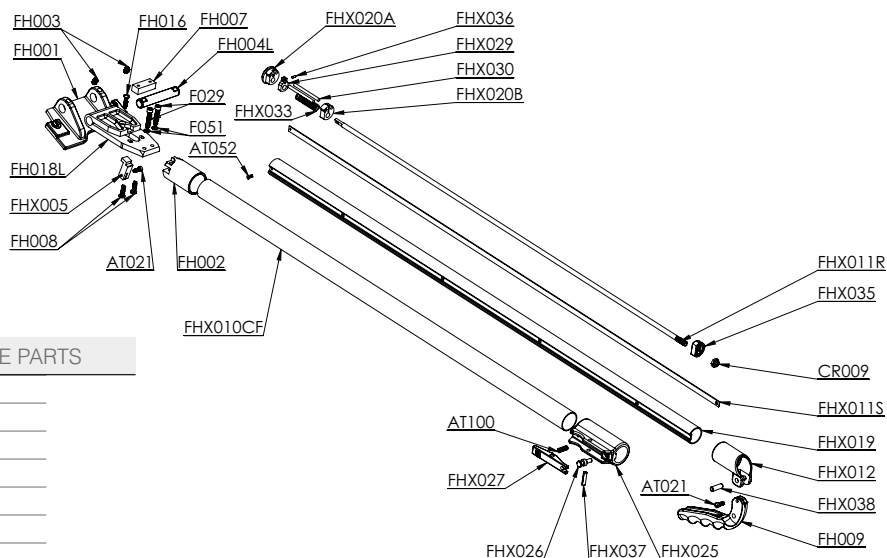
Code	Description	Code	Description
FH001	Connector Plate	FH018A	Hinge Plate Anodised
FHA002	Hinge Assembly	FHX019	Extendable Handle Inner Tube
FH002	Hinge Tube	FHX020A	Brake Housing End Plate
FH003	1/4"-28 x 3/8" Set Screw Cup Pt	FHX020B	Brake Housing End Plate
FH004	Pivot Pin	FHXA020	Brake Housing Assembly
FHX005	Handle Cam	FHX025	Extension Sleeve
FH007	Retainer	FHX026	Locating Pin
FH008	8-32 x 5/8" B.H. Screw	FHX027	Extension Lever
FH009CN	Flat Box Handle Grip	FHX029	Brake Washer
H-600A	Tube Only 600mm	FHX030	Steel Pin 4 x 50
FH010-900	Tube Only 900mm	FHX033	Stainless Steel Brake Spring
FH010-1050	Tube Only 1050mm	FHX035	Extension Stop
FH010-1200	Tube Only 1200mm	FHX036	WC Dowel Pin 3/32 x 1/4"
FH010-1500	Tube Only 1500mm	FHX037	Spring Pin M5 x 20 SS
FH010-1800	Tube Only 1800mm	FHX038	Spring Pin .25 x .75 SS
FH011-600	Handle Connector Strap 600mm	AT021	8-32 x 7/16" Fillister Hd Screw
FH011-900	Handle Connector Strap 900mm	AT052	4-40 x 5/16 Flt. Hd. Screw
FH011-1050	Handle Connector Strap-1050mm	AT100	Spring
FH011-1200	Handle Connector Strap 1200mm	CR009	1/4-20 Thin Nylock
FH011-1500	Handle Connector Strap -1500mm	F029	10-32 x 1" Soc Hd Cap Screw
FH011-1800	Handle Connector Strap 1800mm	F051	#10 Lock Washer
FH012	Sleeve		
FH015	Rivet		
FH016	8-32 x 3/4 Oval Hd. Screw		
FH018	Hinge Plate		
FHX010	Extension Handle Tube		
FHX011R	Connector Rod		
FHX011S	Extension Handle Strap		
FHX012	Extendable Handle Sleeve		
FH016	8-32 x 3/4 Oval Hd. Screw		

Use only genuine Tapepro parts on Tapepro Drywall Tools. Using other brands parts on a Tapepro tool may affect the operation of the product and void warranty.

PRO-REACH SUPERLITE FLAT BOX HANDLE

FHX-SL

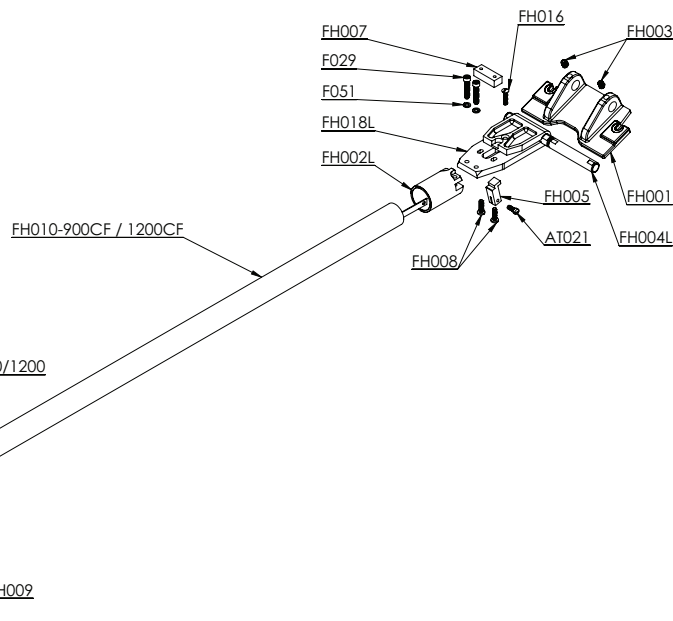
Spare Parts Diagram



PRO-REACH SUPERLITE FLAT BOX HANDLE SPARE PARTS

Code	Description
FH001	Connector Plate
FH003	1/4"-28 x 3/8" Set Screw Cup Pt
FH004L	Pivot Pin
FHX005	Handle cam
FH007	Retainer
FH008	8-32 x 5/8" B.H. Screw
FH009CN	Flat Box Handle Grip
FHX010CF	Extension Handle Tube - Filament Wound Carbon
FHX011R	Connector Rod
FHX011S	Extension Handle Strap
FHX012	Extendable Handle Sleeve
FH016	8-32 x 3/4 Oval Hd. Screw
FH018LA	Hinge Plate Light Anodised
FHX019	Extendable Handle inner tube
FHX020A	Brake Housing End Plate
FHX020B	Brake Housing End Plate
FHX025	Extension Sleeve
FHX026	Locating Pin
FHX027	Extension Lever
FHX029	Brake Washer
FHX030	Steel Pin 4 x 50
FHX033	Brake Spring SS
FHX035	Extension Stop
FHX036	WC Dowel Pin 3/32 x 1/4"
FHX037	Spring Pin M5 x 20 SS

Code	Description
FHX038	Spring Pin .25 x .75 SS
AT021	8-32 x 10mm Fillister Hd Screw
AT052	4-40 x 5/16 Fit. Hd. Screw
AT100	Spring
CR009	1/4-20 Thin Nylock
F029	10-32 x 1" Soc Hd Cap Screw
F051	#10 Lock Washer



SUPERLITE FLAT BOX HANDLES

FHSL

Spare Parts Diagram

SUPERLITE FLAT BOX HANDLES SPARE PARTS

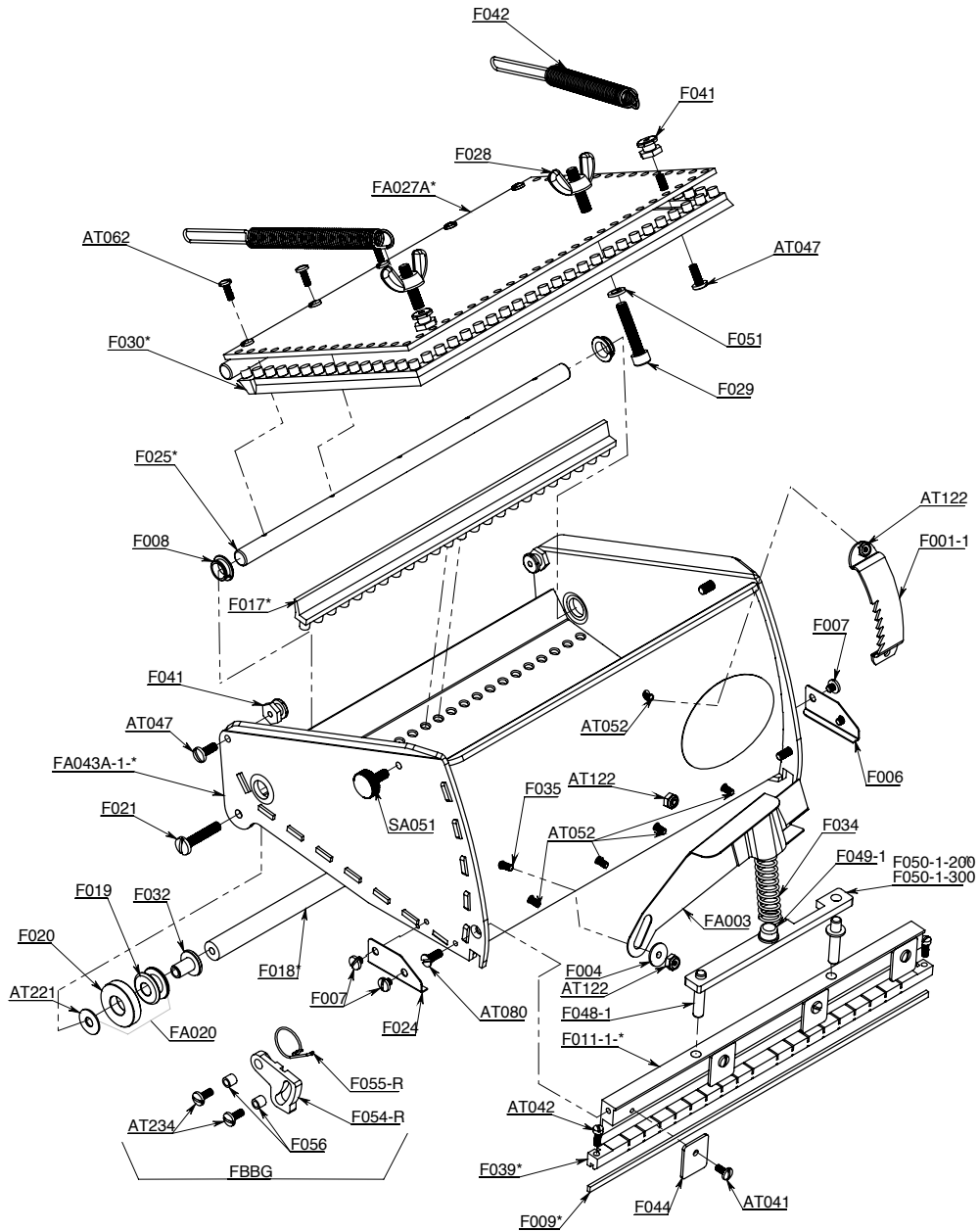
Code	Description
FH001	Connector Plate
FH002L	Hinge Tube Light
FH003	1/4"-28 x 3/8" Set Screw Cup Pt
FH004L	Pivot Pin Light
FH005	Locking Cam
FH007	Retainer
FH008	8-32 x 5/8" B.H. Screw
FH009CN	Flat Box Handle Grip
FH010-900CF	Carbon Fibre Tube 28 x 787mm
FH010-1200CF	Carbon Fibre Tube 28 x 1092mm

Code	Description
FH011-900	Handle Connector Strap 900mm
FH011-1200	Handle Connector Strap 1200mm
FH012L	Sleeve
FHX038	Spring Pin .25 x .75 SS
FH016	8-32 x 3/4 Oval Hd. Screw
FH018L	Hinge Plate Light
AT021	8-32 x 7/16" Fillister Hd Screw
F029	10-32 x 1" Soc Hd Cap Screw
F051	#10 Lock Washer

Use only genuine Tapepro parts on Tapepro Drywall Tools. Using other brands parts on a Tapepro tool may affect the operation of the product and void warranty.

FLAT BOX FFB 200/250/300/350

Spare Parts Diagram



^Use F050-1-200 for 200 and 250

TAPEPRO FLAT BOX SPARE PARTS

Code	Description	Code	Description
F001-1	Ratchet	F017-200	Axle Wiper 200mm
FA003	Lever Assembly	F017-250	Axle Wiper 250mm
F004	Flanged Bushing	F017-300	Axle Wiper 300mm
F006	Skid	F018-200	Wheel Axle 200mm
F007	5-40 x 1/8" B.H. Screw	F018-250	Wheel Axle 250mm
F008	Nyliner	F018-300	Wheel Axle 300mm
F009-200	Blade 200mm	F019	Wheel
F009-250	Blade 250mm	F020	Tyre
F009-300	Blade 300mm	FA020	Tyre & Wheel Assembly
F011-1-200	Blade Holder Retainer 200mm	F021	8-32 x 7/8 B.H. Screw
F011-1-250	Blade Holder Retainer 250mm	F024	Skid
F011-1-300	Blade Holder Retainer 300mm	F025-200	Axle Pressure Plate 200mm

Use only genuine Tapepro parts on Tapepro Drywall Tools. Using other brands parts on a Tapepro tool may affect the operation of the product and void warranty.

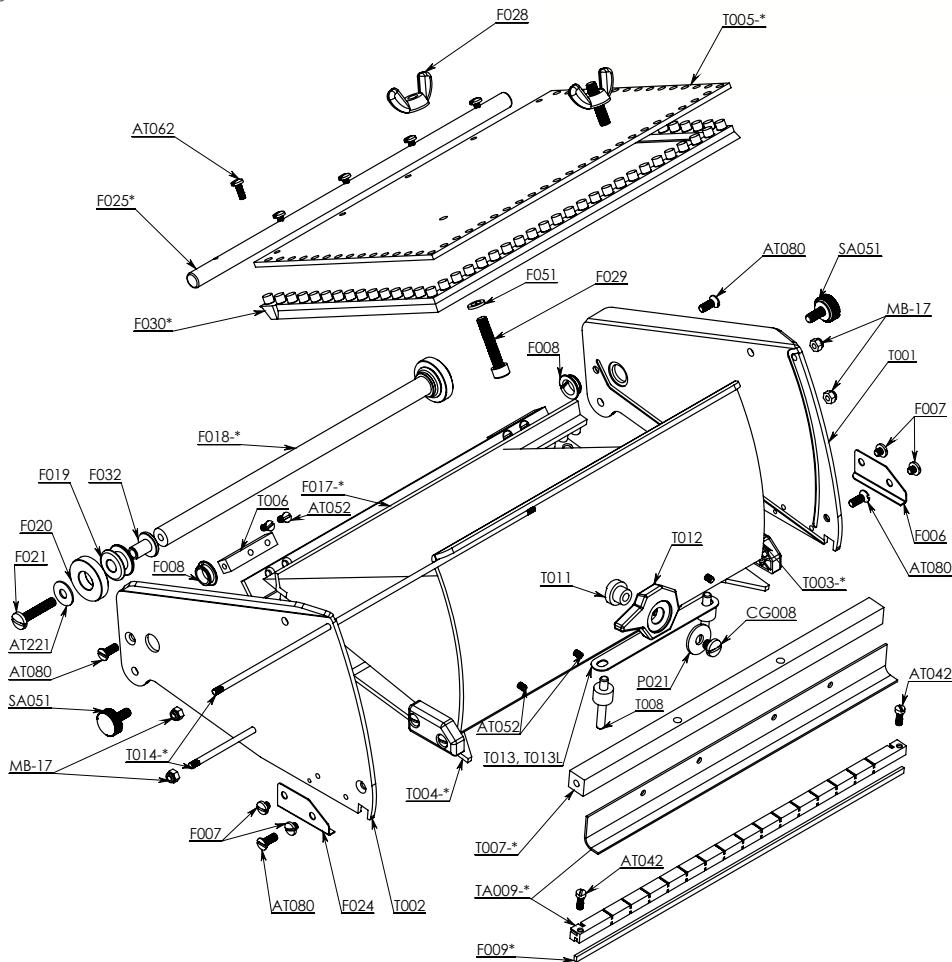
■ TAPEPRO FLAT BOX SPARE PARTS.....cont

Code	Description	Code	Description
F025-250	Axle Pressure Plate 250mm	F051	#10 Lock Washer
F025-300	Axle Pressure Plate 300mm	AT041	4-40 x 1/4 B.H. Screw
F027-200A	Pressure Plate 200mm Anodised	AT042	4-40 x 5/16 Fillister Hd
F027-250A	Pressure Plate 250mm Anodised	AT047	6-32 x 3/8 B.H. Screw
F027-300A	Pressure Plate 300mm Anodised	AT052	4-40 x 5/16 Flt. Hd. Screw
F028	10-32 Wing Nut	AT062	4-40 x 5/16 B.H. Screw
F029	10-32 x 1" Soc Hd Cap Screw	AT080	6-32 x 3/8 Flt. Hd. Screw
F030-200	Pressure Plate Wiper 200mm	AT122	4-40 Nylock
F030-250	Pressure Plate Wiper 250mm	AT221	#8 Flat Washer
F030-300	Pressure Plate Wiper 300mm	AT226	4-40 x 7/16 B.H. Screw
F032	Bushing	SA051	Thumb Screw
F034	Spring	F053	Self Clinching Nut
F035	4-40 x 3/8" Flt. Hd. Screw	F006-2PK	Flat Box Skids Left/Right
F039-200	Blade Holder 200mm	F007-4PK	Skid Screws 4 pack
F039-250	Blade Holder 250mm	F008-2PK	Flat Box Nyliner Set
F039-300	Blade Holder 300mm	F032-2PK	Wheel Bush 2 pack
F041	Spring Anchor	FA020-2PK	Flat Box Tyre & Wheel Set
F042	Pressure Plate Spring	SA051-2PK	Thumb Screw 2pkt Tapepro
FA043-200A	Flat Box Assembly 200mm Anodised	MK03-200	Flat Box Blades 200mm 3 pack
FA043-250A	Flat Box Assembly 250mm Anodised	MK03-250	Flat Box Blades 250mm 3 pack
FA043-300A	Flat Box Assembly 300mm Anodised	MK03-300	Flat Box Blades 300mm 3 pack
F044	Blade Holder Tab	MK06-200	Flat Box Blades 200mm 10 pack
F048-1	Actuator Pin	MK06-250	Flat Box Blades 250mm 10 pack
F049-1	Push Rod (Equaliser Bar)	MK06-300	Flat Box Blades 300mm 10 pack
F050-1-200	Equaliser Bar 200, 250mm		
F050-1-300	Equaliser Bar 300mm		

* Please specify a size when ordering

T2 FLAT BOXES™ T-150/200/250/300

Spare Parts Diagram



Use only genuine Tapepro parts on Tapepro Drywall Tools. Using other brands parts on a Tapepro tool may affect the operation of the product and void warranty.

AUTOMATIC TAPING TOOLS

T2 FLAT BOX SPARE PARTS

Code	Description
T001	Side Plate (Left)
T002	Side Plate (Right)
T003-8	Radius Plate 200mm
T003-10	Radius Plate 250mm
T003-12	Radius Plate 300mm
T004-8	Bottom Plate 200mm
T004-10	Bottom Plate 250mm
T004-12	Bottom Plate 300mm
T005-8	Pressure Plate 200mm
T005-10	Pressure Plate 250mm
T005-12	Pressure Plate 300mm
T006	Brace
T007-8	Retainer 200mm
T007-10	Retainer 250mm
T007-12	Retainer 300mm
T008	Push Rod
TA009-8	Blade Holder with seal 200mm
TA009-10	Blade Holder with seal 250mm
TA009-12	Blade Holder with seal 300mm
T011	Cam Bush
T012	Cam
T013	Spring Flat Small
T013L	Spring Flat Large
T014-8	Tie Rod 200mm
T014-10	Tie Rod 250mm
T014-12	Tie Rod 300mm
F006	Skid
F007	5-40 x 1/8" B.H. Screw
F008	Nyliner
F009-200	Blade 200mm
F009-250	Blade 250mm
F009-300	Blade 300mm
F017-200	Axle Wiper 200mm
F017-250	Axle Wiper 250mm
F017-300	Axle Wiper 300mm
F018-200	Wheel Axle 200mm
F018-250	Wheel Axle 250mm
F018-300	Wheel Axle 300mm
F019	Wheel
F020	Tyre
FA020	Tire & Wheel Assembly
F021	8-32 x 7/8 B.H. Screw
F024	Skid
F025-200	Axle Pressure Plate 200mm
F025-250	Axle Pressure Plate 250mm
F025-300	Axle Pressure Plate 300mm
F027-200A	Pressure Plate 200mm Anodized

Code	Description
F027-250A	Pressure Plate 250mm Anodized
F027-300A	Pressure Plate 300mm Anodized
F028	10-32 Wing Nut
F029	10-32 x 1" Soc Hd Cap Screw
F030-200	Pressure Plate Wiper 200mm
F030-250	Pressure Plate Wiper 250mm
F030-300	Pressure Plate Wiper 300mm
F032	Bushing
F051	#10 Lock Washer
F053	Self Clinching Nut
AT042	4-40 x 5/16 Fillister Hd
AT052	4-40 x 5/16 Flt. Hd. Screw
AT062	4-40 x 5/16 B.H. Screw
AT080	6-32 x 3/8 Flt. Hd. Screw
AT120	4-40 x 1/4 Flt. Hd. Screw
AT221	#8 Flat Washer
CG008	8-32 x 3-16 BH Screw
MB-17	Nut M3 Stainless Steel Nylock
P021	Washer
SA051	Thumb Screw
F006-2PK	Flat Box Skids Left/Right
F007-4PK	Skid Screws 4 pack
F008-2PK	Flat Box Nyliner Set
F032-2PK	Wheel Bush 2 pack
FA020-2PK	Flat Box Tire & Wheel Set
SA051-2PK	Thumb Screw 2 pack
MK03-200	Flat Box Blade 200mm 3 pack
MK03-250	Flat Box Blade 250mm 3 pack
MK03-300	Flat Box Blade 300mm 3 pack
MK06-200	Flat Box Blade 200mm 10 pack
MK06-250	Flat Box Blade 250mm 10 pack
MK06-300	Flat Box Blade 300mm 10 pack
T003-6	Radius Plate 150mm
T004-6	Bottom Plate 150mm
T005-6	Pressure Plate 150mm
T007-6	Retainer 150mm
TA009-6	Blade Holder with seal 150mm
T014-6	Tie Rod 150mm
F009-150	Blade 150mm
F017-150	Axle Wiper 150mm
F018-150	Wheel Axle 150mm
F025-150	Axle Pressure Plate 150mm
F030-150	Pressure Plate Wiper 150mm
MK03-150	Flat Box Blade 150mm 3pack
FBB	Flat Box Bumpers

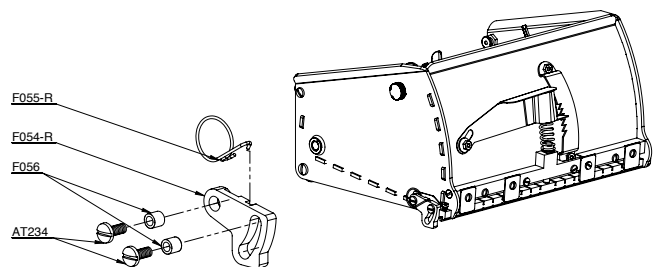
* Please specify a size when ordering

FLAT BOX BEAD GUIDES FBBG

Spare Parts Diagram

FLAT BOX BEAD GUIDES SPARE PARTS

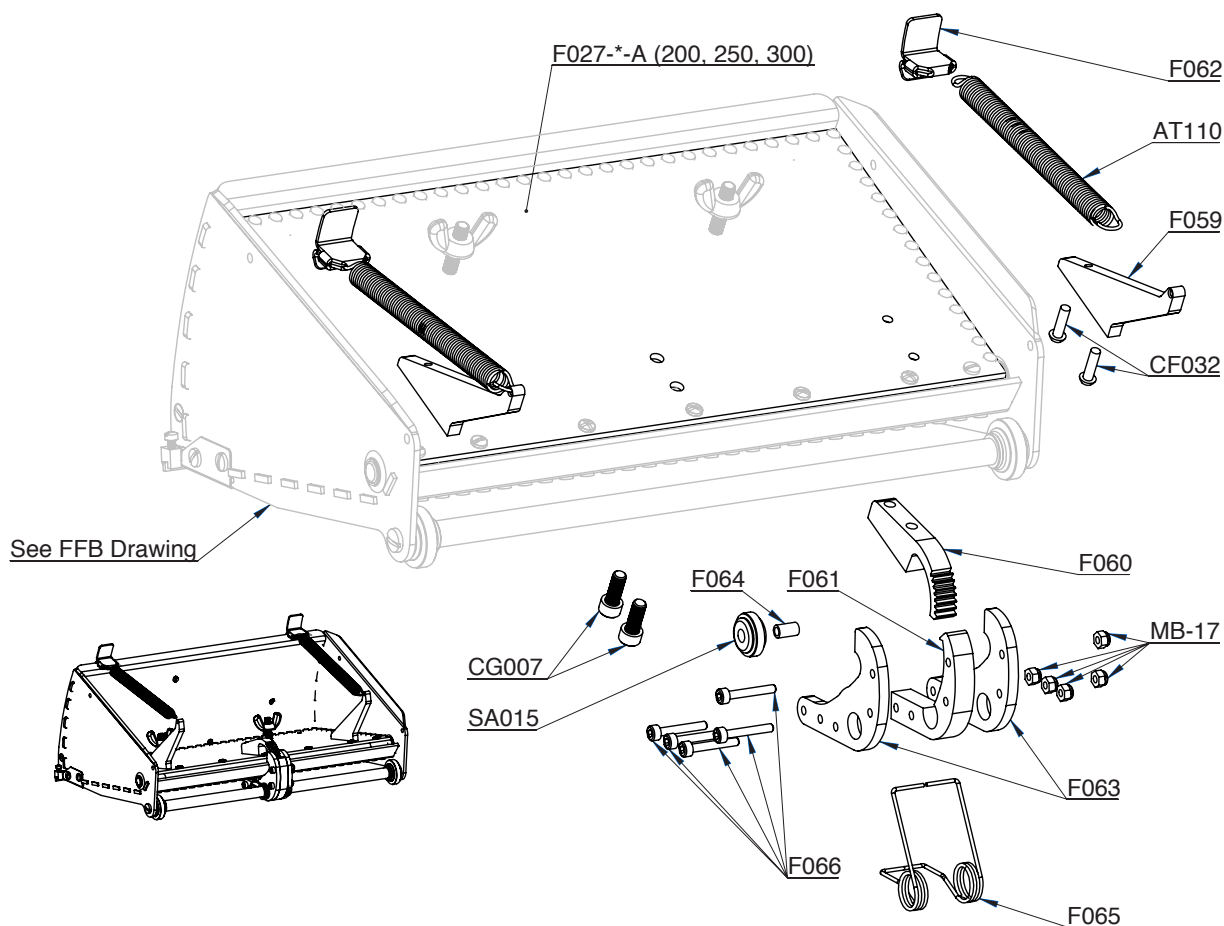
Code	Description
F054L	Flat Box Bead Guide - Left
F054R	Flat Box Bead Guide - Right
F055L	Bead Guide Spring - Left
F055R	Bead Guide Spring - Right
F056	Bead Guide Bush



Use only genuine Tapepro parts on Tapepro Drywall Tools. Using other brands parts on a Tapepro tool may affect the operation of the product and void warranty.

BOOSTER® AUTOMATIC FLAT BOX AB-200/250/300/350

Spare Parts Diagram



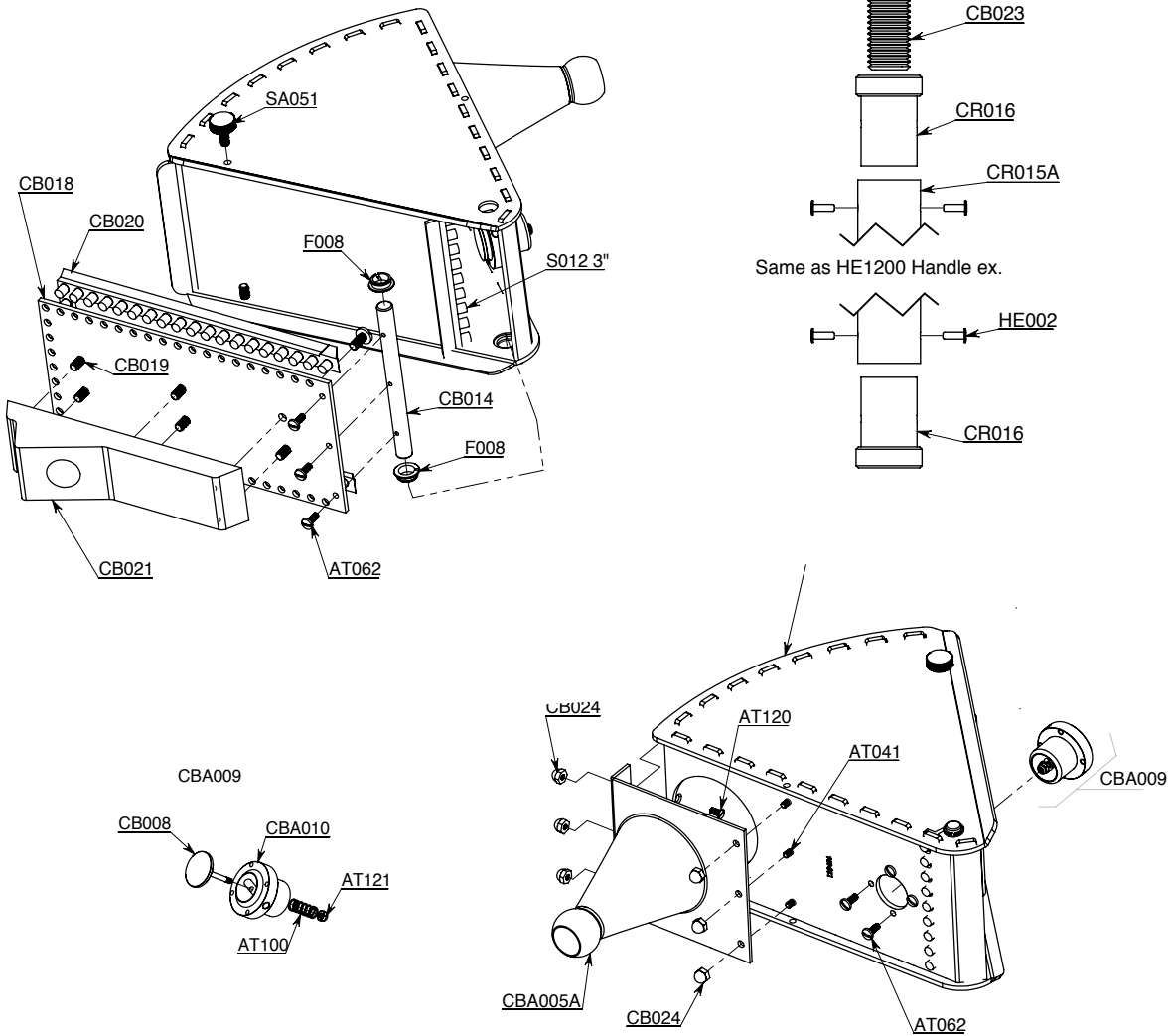
BOOSTER AUTOMATIC FLAT BOX SPARE PARTS

Code	Description
AT110	Pressure Plate Spring
F059	Spring Hanger
F060	Arc
F061	Pawl
F062	Spring Hook
F063	Side Plate
F064	Wheel Bush

Code	Description
F065	Torsion Spring
F066	M3 x 20 SHCS SS
S014	Wheel
S015	Tyre
SA015	Tyre and Wheel Assembly
* Please specify a size when ordering	

CORNER BOX CA-H

Spare Parts Diagram

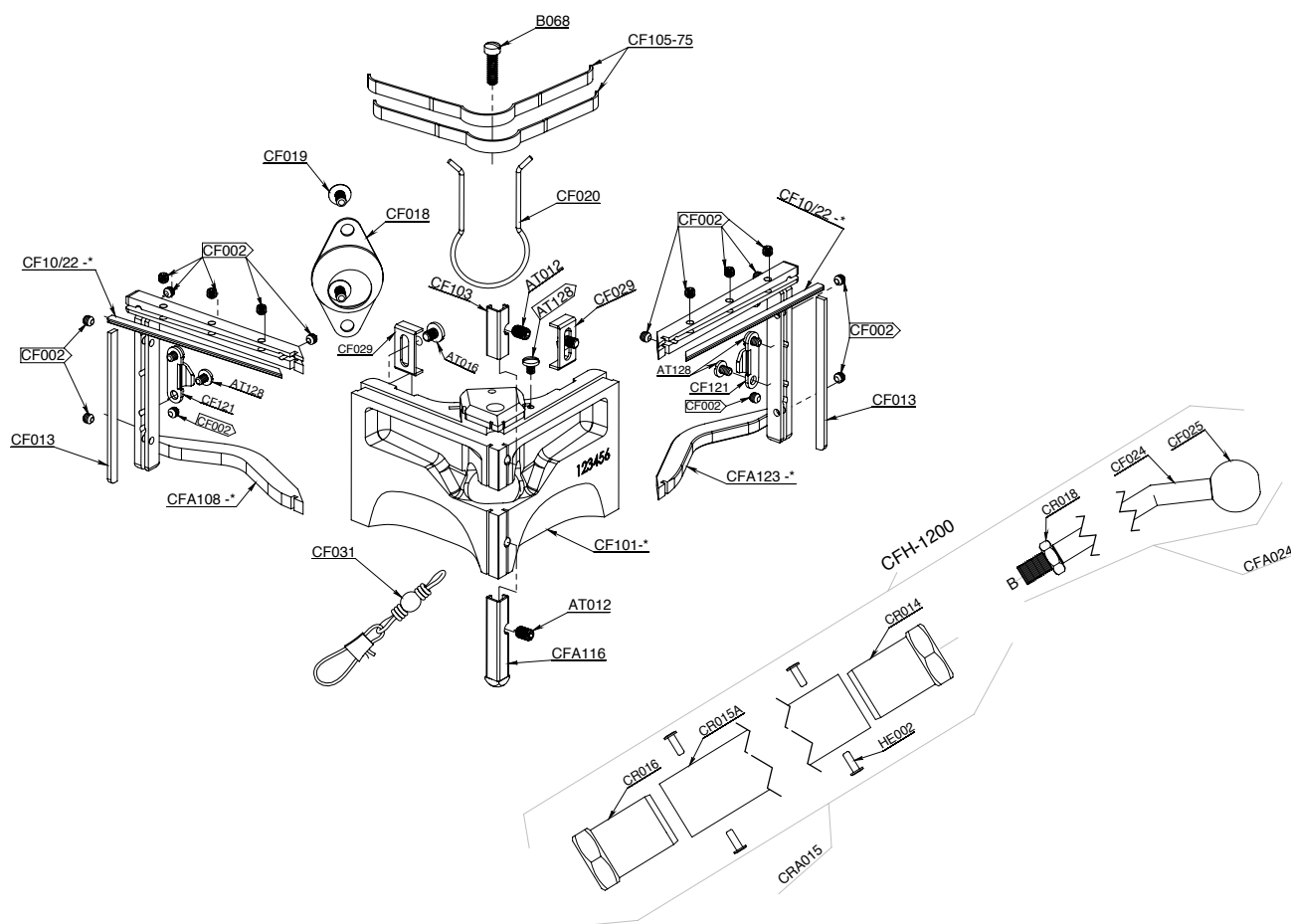


■ TAPEPRO CORNER BOX SPARE PARTS

Code	Description	Code	Description
CBH	Corner Box Head Assembly	AT041	4-40 x 1/4 B.H. Screw
CBA001A	Box Assembly	AT062	4-40 x 5/16 B.H. Screw
CBA005	Cone Assembly Stainless Steel	AT100	Spring
CBA005A	Cone Assembly Stainless Steel (without bend)	AT120	4-40 x 1/4 Flt. Hd. Screw
CB008	Filler Valve	AT121	3-48 Nylock
CBA009	Filler Body Assembly	CF031	Swivel
CB014	Axle	CRA015A	Handle Tube Only
CB018	Pressure Plate	CR016	Handle End
CB019	Screw	F008	Nyliner
CB020	Pressure Plate Wiper	SA051	Thumb Screw
CB021	Handle Bracket	SA051-2pk	Thumb Screw 2pkt Tapepro
CB023	Stud	S012-75	Axle Wiper 75mm
CB024	4-40 Cap Nut	XH023	Corner Box Adaptor Stud

CORNER FINISHER & HANDLE CF-65/75/90 CFH-1200

Spare Parts Diagram



■ TAPEPRO CORNER FINISHER SPARE PARTS

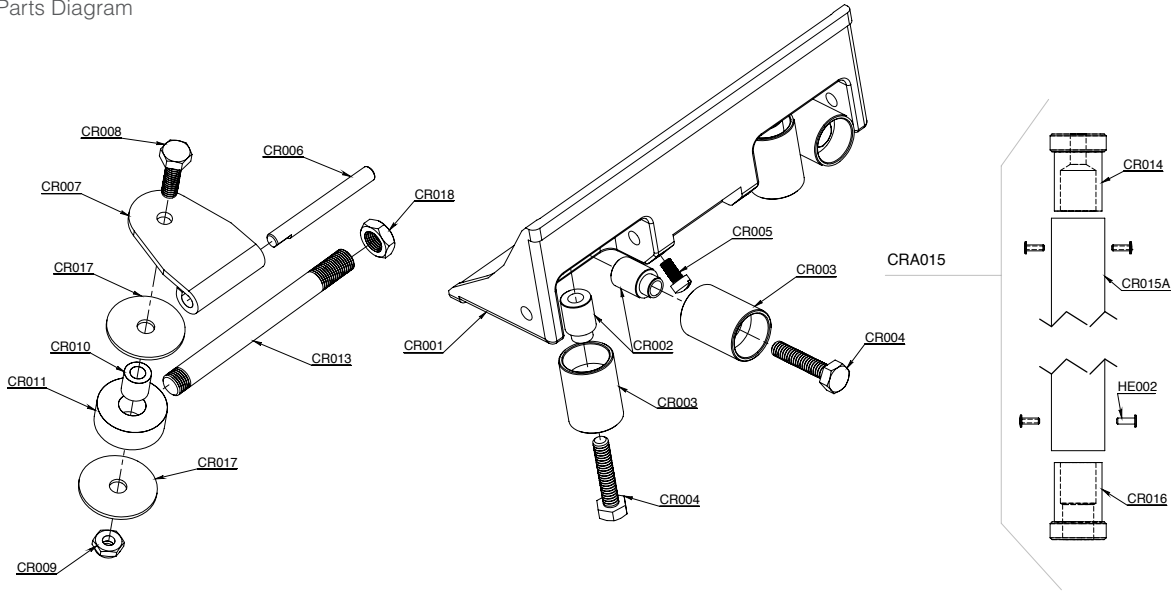
Code	Description	Code	Description
CF002	6-32 x 1/8" Socket Set Flat.Pt	CF101-75	Head 75mm
CF003	Upper Clip (Old Style/Premier)	CF101-90	Head 90mm
CF005-50	Spring - 50mm (Old Style/Premier)	CF103	Corner Finisher Upper Clip
CF005-75	Spring - 75mm (Old Style/Premier)	CF105-75	Spring 75mm (Fits all Corner Finishers)
CF007	4-40 X 3/16 Set Screw Cup Pt.	CF121	Corner Finisher Frame Stop
CF009	4-40 x 5mm Set Screw (Black)	CFA108-65	Frame Assembly 65mm
CF10/22-65	Carbide Blade 65mm	CFA108-75	Frame Assembly 75mm
CF10/22-75	Carbide Blade 75mm	CFA108-90	Frame Assembly 90mm
CF10/22-90	Carbide Blade 90mm	CFA116	Lower Clip Assembly
CF013	Skid	CF123-65	Frame Assembly 65mm
CFA016	Lower Clip Assembly (Old Style/Premier)	CF123-75	Frame Assembly 75mm
CF018	Ball Socket	CF123-90	Frame Assembly 90mm
CF019	6-32 x 1/4 Truss Hd. Screw	AT012	8-32 x 1/4 Set Screw Cut Pt
CF020	Ball Retainer	AT029	4-40 x 1/4 Set Screw Cup
CFA024	Ball Shaft	AT112	6-32 x 1/2 Soc Cap Screw
CF026	5/16"-24 Hex Nut	CRA015	Handle
CF027	Handle End	CR016	Handle End
CF031	Swivel	CR014	Handle End
CF101-65	Head 65mm	AT128	4-40 x 5/32 B.H. Screw

* Please specify a size when ordering. * For CF-XH please see XH diagram.

Use only genuine Tapepro parts on Tapepro Drywall Tools. Using other brands parts on a Tapepro tool may affect the operation of the product and void warranty.

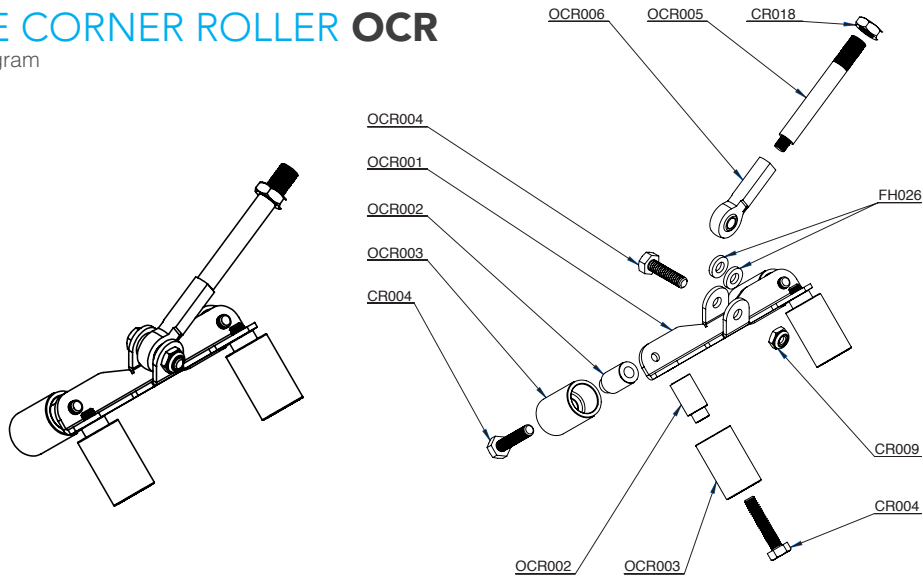
CORNER ROLLER CR-H

Spare Parts Diagram



OUTSIDE CORNER ROLLER OCR

Spare Parts Diagram



TAPEPRO CORNER ROLLER SPARE PARTS

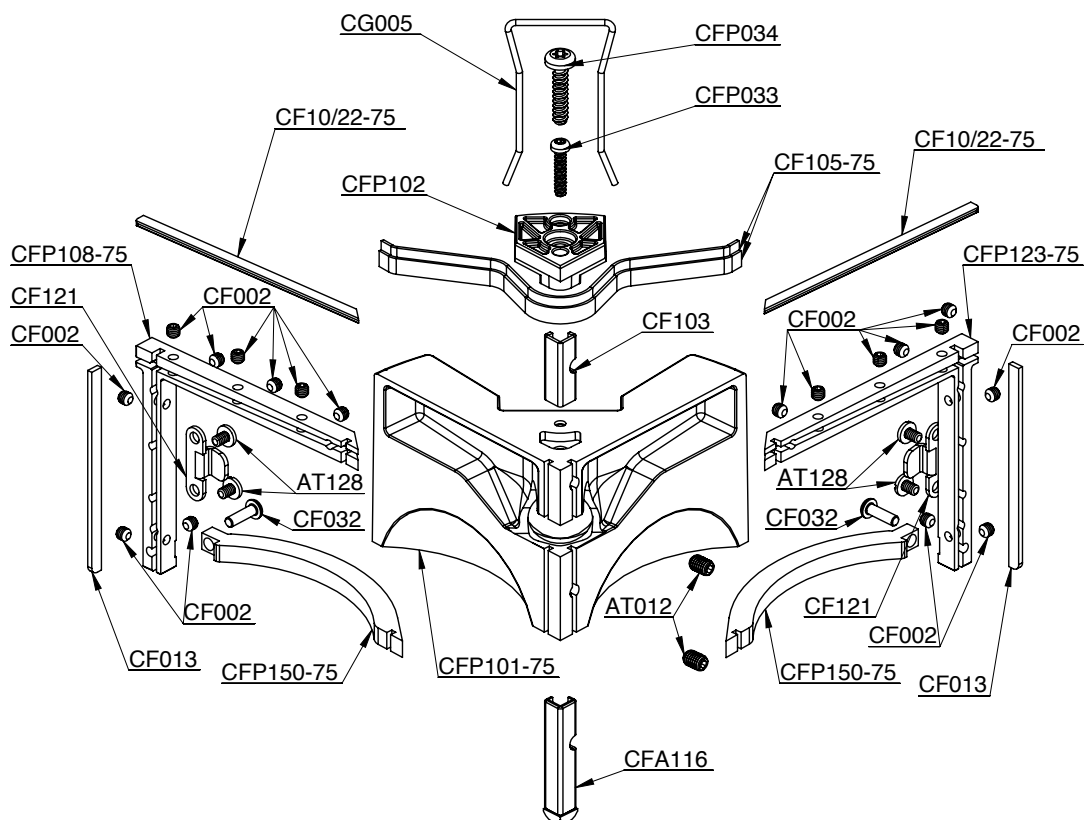
Code	Description	Code	Description
CR001	Corner Roller Head Only	CR015A	Handle Tube Only
CRA001	Corner Roller Head Assembly	CRA015	Corner Roller Handle
CR002	Bushing	CR016	Handle End
CR003	Roller Stainless Steel	CR017	Washer
CR004	1/4"-20 x 1-1/4" Hex Head Screw	CR018	3/8"-24 Low Profile Hex Nut
CR005	10-32 x 3/8" Fillister Hd.Screw	OCR	OCR
CR006	Swivel Pin	OCR001	Outside Corner Roller Head
CR007	Swivel Post	OCR002	Stainless Steel Bushing
CR008	1/4" - 20 x 7/8" head screw	OCR004	1/4-20 x 1 Hex hd Screw
CR009	1/4-20 Thin Nylock	OCR005	SS Rod
CR010	Bushing	OCR006	1/4 Female Rod End
CR011	Adaptor	FH026	Acetal Washer
CR013	Shaft Stainless Steel		
CR014	Handle End		

* For CR-XH / OCR-XH please see XH diagram

Use only genuine Tapepro parts on Tapepro Drywall Tools. Using other brands parts on a Tapepro tool may affect the operation of the product and void warranty.

CORNER FINISHER PLASTIC 75MM CFP-75

Spare Parts Diagram



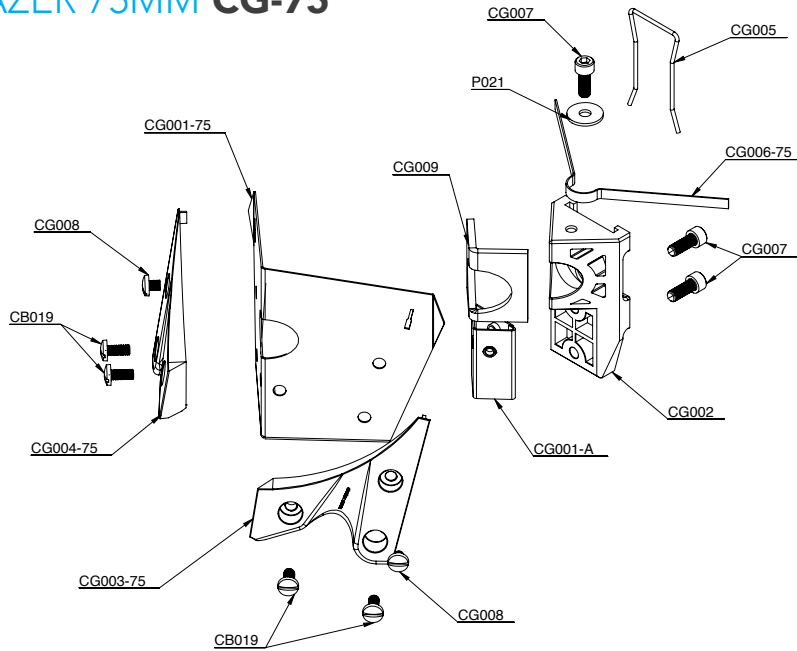
■ TAPEPRO CORNER FINISHER SPARE PARTS

Code	Description	Code	Description
CF002	6-32 x 1/8" Socket Set Flat.Pt	CFP108-75	CFP-75 Right Frame
CF10/22-75	Carbide Blade 75mm	CFP123-75	CFP-75 Left Frame
CF013	Skid	CFP150-75	CFP-75 Frame Lower Bar
CF103	Corner Finisher Upper Clip	CFP033	3mm PT Screw
CF105-75	Spring 75mm (Fits all Corner Finishers)	CFP034	4mm PT Screw
CF121	Frame Stop	CF032	6-32 x 3/8 SHCS SS
CFA116	Lower Clip Assembly	CG005	Spring Retainer
AT012	8-32 x 1/4 Set Screw Cut Pt	CFA024	Ball Shaft
AT128	4-40 x 5/32 BH Screw	CRA015	Handle
CFP101-75	Corner Finisher Head - 75mm	CR016	Handle End
CFP102	Corner Finsisher Top Piece		

* Please specify a size when ordering. * For CF-XH please see XH diagram.

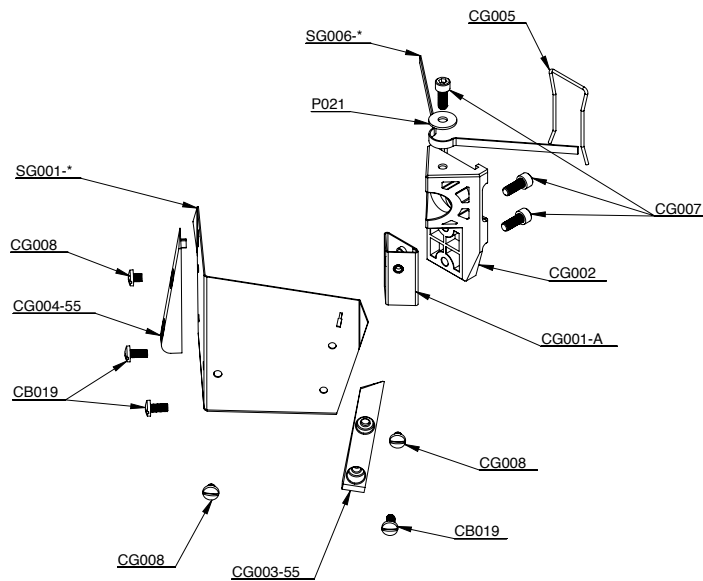
CORNER GLAZER 75MM CG-75

Spare Parts Diagram



STRAIGHT GLAZER 75MM SG-55/75/90

Spare Parts Diagram



■ TAPEPRO CORNER GLAZER SPARE PARTS

Code	Description
CG001-75	Corner Glazer Head 75mm
CG001-A	Brace
CG002	Ball Socket Block
CG003-75	Corner Glazer Skid Right
CG004-75	Corner Glazer Skid Left
CG005	Corner Glazer Spring Retainer
CG006-75	Flat Spring 75mm Corner Glazer
CG007	10-32 x 1/2 Soc Hd Cap Screw Stainless Steel
CG008	8-32 x 3-16 BH Screw
CG009	Gasket
CB019	Screw
P021	Washer

* Please specify a size when ordering

■ TAPEPRO STRAIGHT GLAZER SPARE PARTS

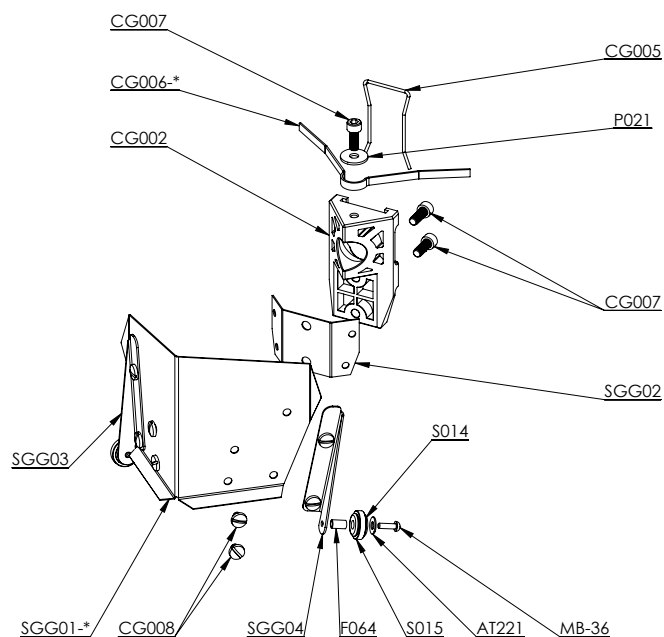
Code	Description
CG001-55	Glazer Head 55mm
SG001-75	Glazer Head 75mm
SG001-90	Glazer Head 90mm
CG001-A	Brace
CG002	Ball Socket Block
CG003-55	Glazer Skid Right
CG004-55	Glazer Skid Left
CG005	Glazer Spring Retainer
CG006	Flat Spring 55mm
CG006-75	Flat Spring 75mm
SG006-90	Flat Spring 90mm
CG007	10-32 x 1/2 Soc Hd Cap Screw Stainless Steel
CG008	8-32 x 3-16 BH Screw
CB019	Screw
P021	Washer

* Please specify a size when ordering

Use only genuine Tapepro parts on Tapepro Drywall Tools. Using other brands parts on a Tapepro tool may affect the operation of the product and void warranty.

STRAIGHT GLAZER GLIDER SERIES SGG-60/80/95

Spare Parts Diagram



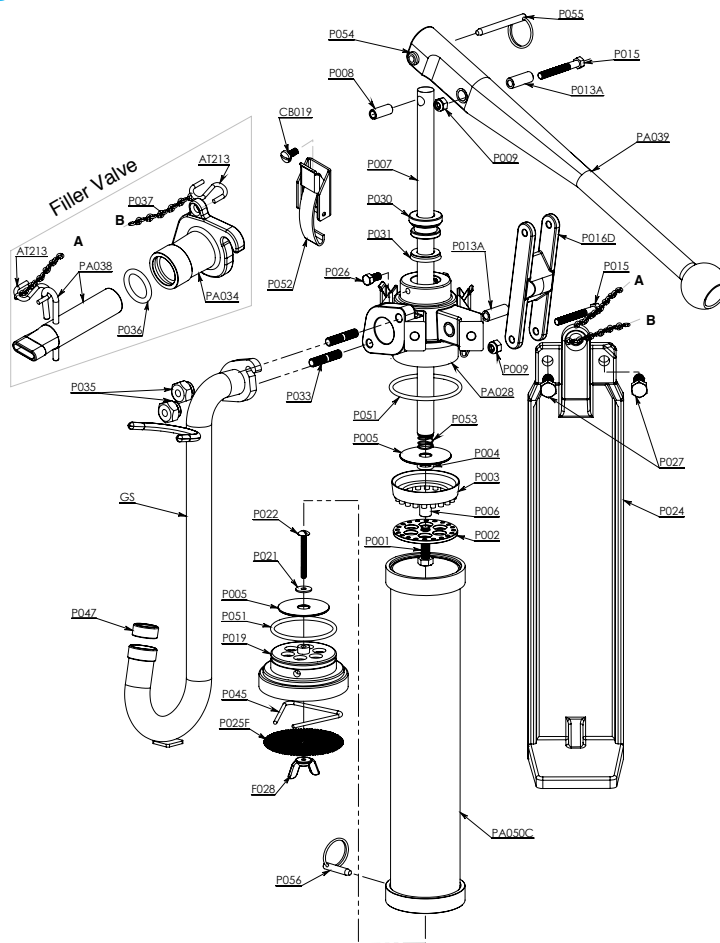
■ TAPEPRO STRAIGHT GLAZER GLIDER SERIES SPARE PARTS

Code	Description	Code	Description
SGG02	Brace	P021	Washer
SGG03	Wheel Brace - Right	S014	Wheel Tapepro
SGG04	Wheel Brace - Left	CG008	8-32 x 3-16 BH Screw
SGG01-*	Glider Glazer Head - (Size)	F064	Wheel Bush Tapepro
CG007	10-32 x 1/2 SHCS SS Tapepro	S015	Tyre Tapepro
CG006	Flat spring 55mm	AT221	#8 Flat Washer
CG002	Ball Socket Block	MB-36	Screw Pan M3 x 10 S/S Tapepro
CG005	Corner Glazer Spring Retainer Tapepro		

LOADING PUMP

LP-EZ, GS, FBF

Spare Parts Diagram



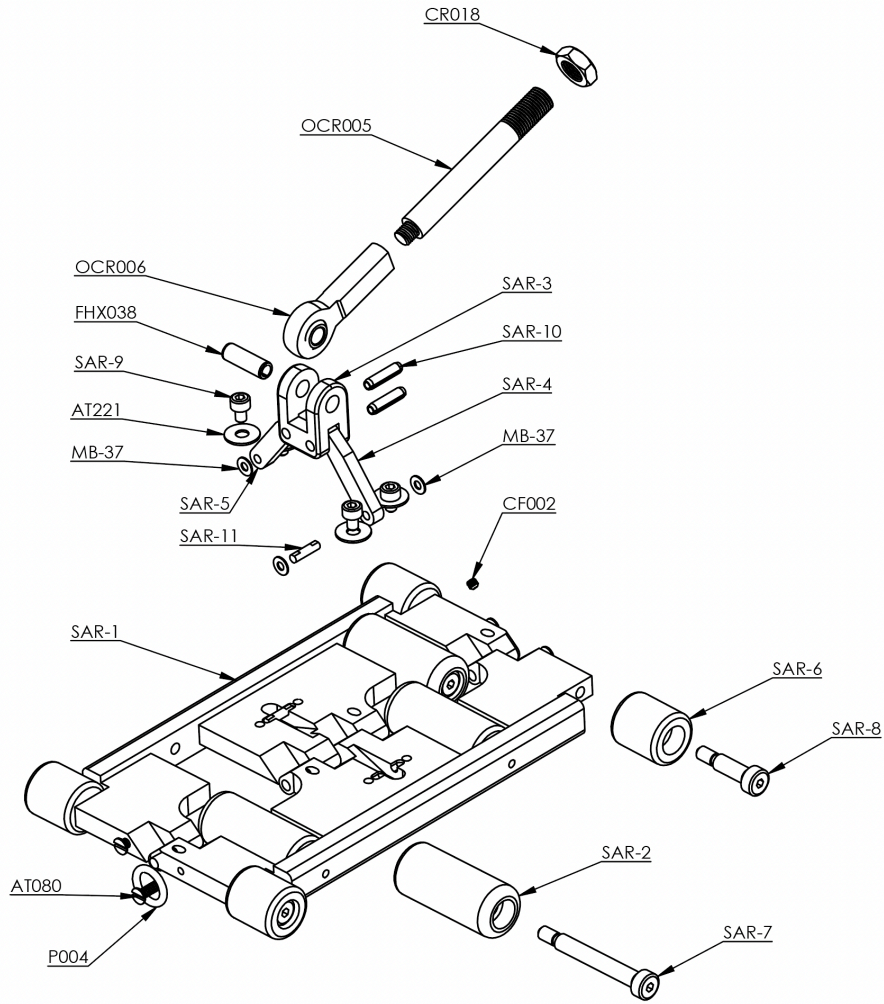
TAPEPRO LOADING PUMP SPARE PARTS

Code	Description	Code	Description
P001	5/16-24 X 1 1/4 Hex Hd. Screw	P030	Plastic Bushing
P002	Piston Disc	P031	U Cup
P003	Piston Wiper	P032	5/16-24 Low Pro Hex Nut
P004	O Ring Piston	P033	Stud
P005	Valve Disc	PA034	Filler Housing, Bushing and "S" Hook
P006	Spacer	P035	Special Nut
P007	Piston Rod	P036	O Ring
P008	Bushing	P037	Stainless Steel Wire Rope
P009	1/4-28 Nylock	PA038	Mud Outlet with Pin 90mm
P010	1/4 - 28 x 1-1/2 Hex Hd. Screw (old style)	PA039	Handle Assembly Cast
PA011C	Handle Assembly (old style)	PA039C	Ball with Handle Assembly
P012	1/4-28 x 2-1/2 Hex Hd. (old style)	P041	1/4 x 2 Detent Ring Pin
P013	Bushing	P045	Screen Support
P013A	Head Bushing Short	P047	Seat
P015	1/4-20 x 2 Hex Hd. Screw	PA050C	Speed Pump Tube
P016C	Link (old style - two legs)	P051	O Ring
P016S	Link Assembly Stainless Steel (old style)	P052	Stainless Steel Clamp
P016D	Link Assembly Die Cast	P053	Loading Pump Valve Spring
P019	Foot Valve	P054	Pump Handle Bush
P021	Washer	P055	1/4" x 1.5" Detent Ring Pin SS
P022	10-32 x 44mm B.H. Screw	P056	1/4" x 3/4" Detent Ring Pin SS
P024	Leg	AT213	S Hook
P025F	Screen - Fine	CB019	Screw
P026	1/4-28 x 1/2 Hex Hd. Screw	CR009	1/4-20 Thin Nylock
P027	3/8-16 x 1 Hex Hd. Screw	F028	10-32 Wing Nut
PA028	Pump Head		

Use only genuine Tapepro parts on Tapepro Drywall Tools. Using other brands parts on a Tapepro tool may affect the operation of the product and void warranty.

ADJUSTABLE BEAD ROLLER SABR

Spare Parts Diagram



FLAT BOX EXTENDABLE HANDLE COMPACT FHX-C

Spare Parts Diagram

